

HALO

Design by Martín Azúa.

Reference

2333.

Application

Hanging lamps

Installation type

Surface

Description

HALO is a hanging lamp with circular pieces, which creates subtle, magical lighting. Designed by Martín Azúa, it is available in matt white lacquer.

Diffuser

Methacrylate diffuser

Materials

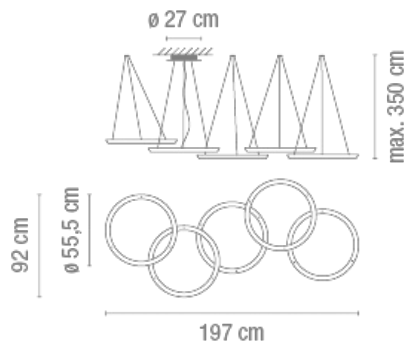
Diffuser: PMMA
Ceiling rose: Steel

Finish



2333-03 Matt white lacquer (RAL 9016)

Sketch



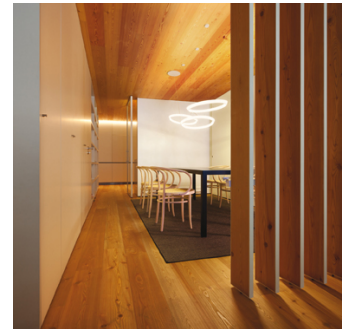
Electrical characteristics

5 x LED STRIP 24V 23W

Total 115.0 W

A

VIBIA



Led 3000K CRI >80 10430 lm 87 lm/W

Fixture: 7916 lm 66 lm/W

Driver included: CC - Constant Current 100-240V 50/60Hz

Electronic dimming 1-10V

ficha.fichatecnicaproducto.regulacion.opcional DALI or SMART

Technical characteristics

- 1-10V Electronic dimming

Physical characteristics

1 Box / 0.60 x 0.65 x 0.65 m. / Vol. 0.1968 m³ /

Gross weight 23.8 kg. / Net weight 13.8 kg.

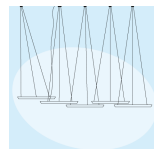
Installation and assembly

Please, see the installation manual

Light distribution

General lighting

Lamp for general lighting that equally distributes the light in all directions.



Photometric data

Efficiency : 75.90%

Coordinate system : CG

Total flux : 10429.25 lm

Maximum value : 106.19 cd/klm

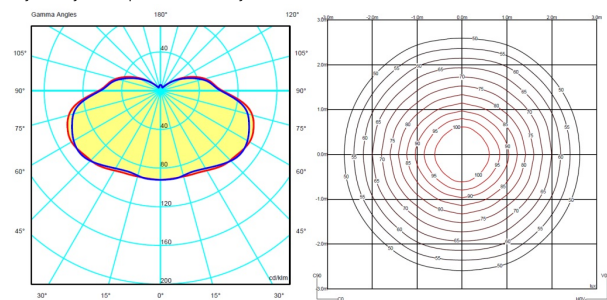
Light position : C=10.00 G=60.00

Symmetry on the planes : Double symmetrical

Isolux : Floor

Light position :

X=0.00m Y=0.00m Z=3.00m



Certificates

