

SCOTCH

Design by Oscar & Sergi Devesa.

VIBIA

Reference

0962.

Application

Outdoor lamps

Installation type

Surface

Description

Outdoor wall light designed by Oscar & Sergi Devesa. The diffuser is made of patterned glass painted white on the inside, and it has a chrome base. Ideal for transit areas or to complete general lighting.

Diffuser

Pressed-glass diffuser

Materials

Diffuser: Glass

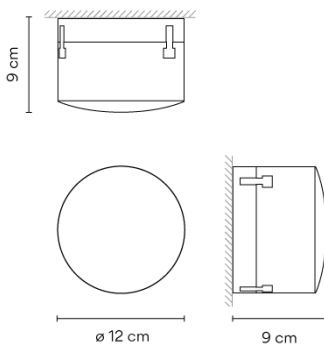
Box: Zamak

Finish



0962-01 Chrome (Metallic finish)

Sketch



Electrical characteristics

1 x LED PLATE 3W 350mA



Total 3.0 W



Led 2700K CRI >80 341 lm 117 lm/W

Fixture: 233 lm 80 lm/W

Driver included: CC - Constant Current 350 mA 100-240V 50/60Hz

Electronic dimming NO DIM

Physical characteristics

1 Box / 0.26 x 0.26 x 0.26 m. / Vol. 0.0175 m³ /

Gross weight 2.6 kg. / Net weight 2.3 kg.

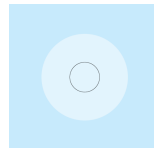
Installation and assembly

Please, see the installation manual

Light distribution

General lighting

Lamp for general lighting that equally distributes the light in all directions.



Photometric data

Efficiency : 68.29%

Coordinate system : CG

Total flux : 341.10

Maximum value : 91.87

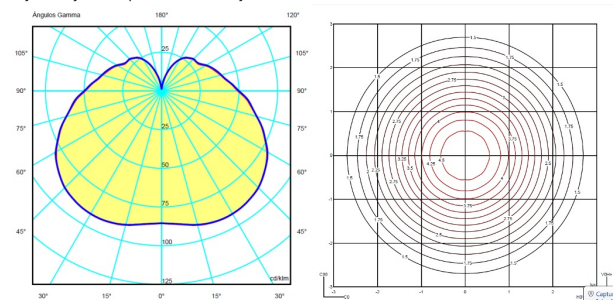
Light position : C=75.00 G=30.00

Symmetry on the planes : Double symmetrical

Isolux : Floor

Light position :

X=0.00m Y=0.00m Z=2.50m



Certificates



