

PLUS

Design by X. Claramunt and M. de Mas.

Reference

0641.

Application

Ceiling Lamps

Installation type

Built-in

Description

Recessed ceiling light, designed by X. Claramunt and M. de Mas. Convex methacrylate diffuser and matt white lacquer finish, though the whole fixture can be painted in the desired colour to make it blend perfectly into the ceiling. Its form recalls a real skylight. Features dimmable electronic ballast (DALI System).

Diffuser

Methacrylate diffuser

Materials

Body: Polyurethane foam

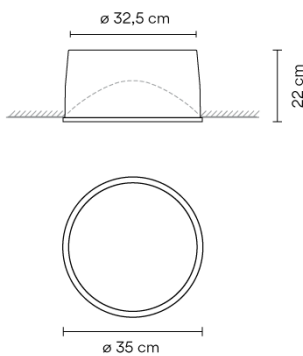
Diffuser: Methacrylate

Finish



0641-03 Matt white lacquer (RAL 9010)

Sketch



Electrical characteristics

1 x 2GX13 230V 55W (T5C)



Total 55.0 W



VIBIA



Fixture: 864 lm 16 lm/W

Driver included: CV - Contant Voltage 230V 50Hz

Electronic dimming DALI PUSH

Technical characteristics

- Built-in

Physical characteristics

1 Box / 0.35 x 0.49 x 0.49 m. / Vol. 0.0840 m³ /

Gross weight 2.9 kg. / Net weight 2.6 kg.

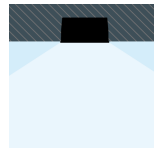
Installation and assembly

Please, see the installation manual

Light distribution

General lighting

Lamp for general lighting that equally distributes the light in all directions.



Photometric data

Efficiency : 20.56%

Coordinate system : CG

Total flux : 4200.00 lm

Maximum value : 72.52 cd/klm

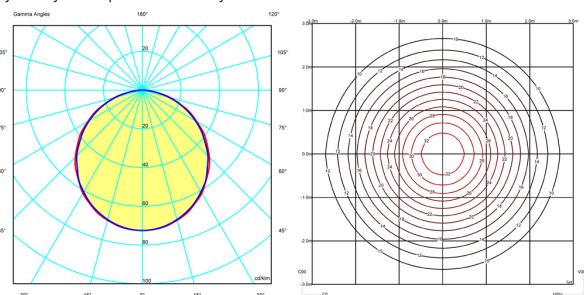
Light position : C=0.00 G=0.00

Symmetry on the planes : Double symmetrical

Isolux : Floor

Light position :

X=0.00m Y=0.00m Z=3.00m



Certificates

