

SERIP

Lines Double Sharp

REFERENCE AP1430/2



DESCRIPTION

Delicate and with overflowing motion, this collection is inspired by musical notes and its conceptual graphic visualization. The inspiring twist and turn of the structure bronze lines represent melodies, music and symphonies, complete with the trembling pattern of the glass which represents the vibration of sound by itself. Ideal for singular light points in common rooms of classic and contemporary interiors.

Finish shown here Metal FP | Glass 10

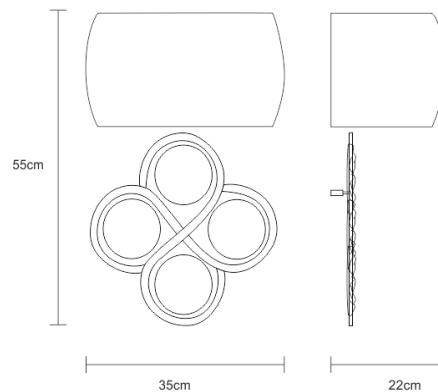
Designed and produced by hand in Portugal.

Serip reserves the right to make changes or improvements at any time it deems useful to guarantee the highest quality standards for its products.

Hand-finished, some variations may occur.

All the glass models are designed by Serip and exclusively handmade produced, establishing a unique and prestigious feature of the glass handwork art. For this reason, there is the possibility of variation in measures, weight, colour and shape represented.

TECHNICAL DRAWING



SERIP

TECHNICAL SPECIFICATIONS

MEASUREMENTS

FIXTURE SIZE & WEIGHT

Width 35.00cm / 14.00in
Height 55.00cm / 22.00in
Depth 22.00cm / 9.00in
Weight 4.00kg / 9.00lb

PACKAGE SIZE & WEIGHT

(m)Package 1/2 0.64m x 0.46m x 0.64m
=0.19CBM
(in)Package 1/2 0.25in x 0.18in x 0.25in
=6.70ft³

ELECTRIC FEATURE

Installation Ceiling
IP degree IP 20

220-240V 50Hz-60Hz
Max Power Consumption 80W
Light Sources
2 x E14 Max 40W

110-120V 50Hz-60Hz
Max Power Consumption 80W
Light Sources
2 x E12 Max 40W

ENERGY RATING

This luminaire allows lights sources with energy efficiency class



CERTIFICATIONS



CARE INSTRUCTIONS

Due to the nature of our exquisite hand applied finishes, wipe clean with a soft, dry cloth or static duster must be used to clean the fixture.

Always avoid the use of harsh chemicals or abrasive cleaners as they may cause damage to the fixture's finish.

Cleaning is limited to the outer surfaces, shades or glass. It is important to ensure that no moisture enters the terminal compartment or reaches any live parts.

As our products are subject to technical modifications, we cannot guarantee, that all information is always up to date. Please contact our [technical department](#) with any queries.

SERIP

OPTIONAL FINISHES

GLASS FINISHES



Clear (10)

METAL FINISHES



Copper
(CO)



Silver (FP)



Silver/White
Patina
(FP/PB)



Lead (CH)



Palladium
(PL)



Black (PR)



Gold/White
Patina
(FO/PB)



Gold (FO)



Talha (TA)

SERIP