

SERIP

Diamond Cleopatra Large

REFERENCE CT3245/8



DESCRIPTION

Inspired by handcrafted jewellery. The Diamond Collection highlights a sense of luxury through the brightness of its imperial display. Opulent and extravagant, the collection reminisces on the hypnotizing glow of Sapphires, Emeralds, Ambar and Rubies. The rings of metal branches were carefully designed to incorporate nearly hundreds of gleaming stones, all for a final result of incredible shine and class, increasing to the measure of its length. Ideal for classic interiors, framing perfectly in bedrooms, dining and living rooms.

Finish shown here Metal FO | Glass 10+11+14

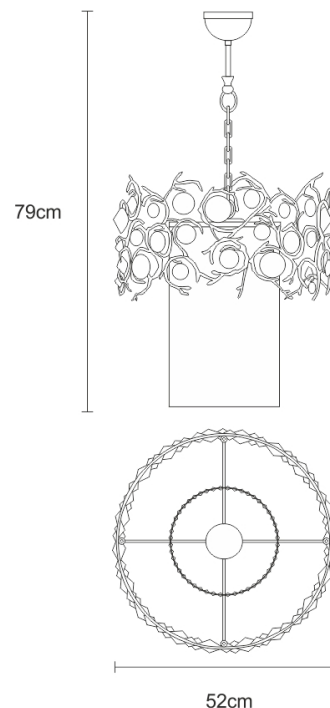
Designed and produced by hand in Portugal.

Serip reserves the right to make changes or improvements at any time it deems useful to guarantee the highest quality standards for its products.

Hand-finished, some variations may occur.

All the glass models are designed by Serip and exclusively handmade produced, establishing a unique and prestigious feature of the glass handwork art. For this reason, there is the possibility of variation in measures, weight, colour and shape represented.

TECHNICAL DRAWING



SERIP

TECHNICAL SPECIFICATIONS

MEASUREMENTS

FIXTURE SIZE & WEIGHT

Diameter 52.00cm / 20.00in

Height 57.00cm / 22.00in

OAH Overall Height Min 70.00cm / 28.00in

OAH Overall Height Max 90.00cm / 35.00in

Weight 9.00kg / 20.00lb

PACKAGE SIZE & WEIGHT

(m)Package 1/2 0.94m x 0.90m x 0.93m
=0.79CBM

(in)Package 1/2 0.37in x 0.35in x 0.37in
=27.90ft³

ELECTRIC FEATURE

Installation Ceiling

IP degree IP 20

220-240V 50Hz-60Hz

Max Power Consumption 320W

Light Sources

8 x G9 Max 40W

Included Sources

Light Sources

8 x G9 LED 2W

Lumens 1840lm

Kelvin 3000

CRI 80

Optional Sources

Light Sources

8 x G9 LED 3W

Lumens 2400lm

Kelvin 3000

CRI 80

110-120V 50Hz-60Hz

Max Power Consumption 320W

Light Sources

8 x G9 Max 40W

ENERGY RATING

This luminaire allows lights sources with energy efficiency class



CERTIFICATIONS



CARE INSTRUCTIONS

Due to the nature of our exquisite hand applied finishes, wipe clean with a soft, dry cloth or static duster must be used to clean the fixture.

Always avoid the use of harsh chemicals or abrasive cleaners as they may cause damage to the fixture's finish.

Cleaning is limited to the outer surfaces, shades or glass. It is important to ensure that no moisture enters the terminal compartment or reaches any live parts.

As our products are subject to technical modifications, we cannot guarantee, that all information is always up to date. Please contact our [technical department](#) with any queries.

SERIP

OPTIONAL FINISHES

GLASS FINISHES



Emerald (40)



Smoked (34)



Black (14)



Amber (11)



Clear (10)



Blue (09)

METAL FINISHES



Copper
(CO)



Silver (FP)



Silver/White
Patina
(FP/PB)



Lead (CH)



Palladium
(PL)



Black (PR)



Gold/White
Patina
(FO/PB)



Gold (FO)



Talha (TA)

SERIP