



Streck

“Part of the way I work is very involved in how we look at things – as if we are always on a visit to a museum. Streck is the result of this – the essence of a particular type of fitting I have always loved. With just a few, very carefully selected lines, the Streck family has been given a long life,” says Joel. As always, a lot of thought has gone into the details. This includes considering how the electric cable will hang, as this is strongly connected to the longevity and appeal of the product.



Specification

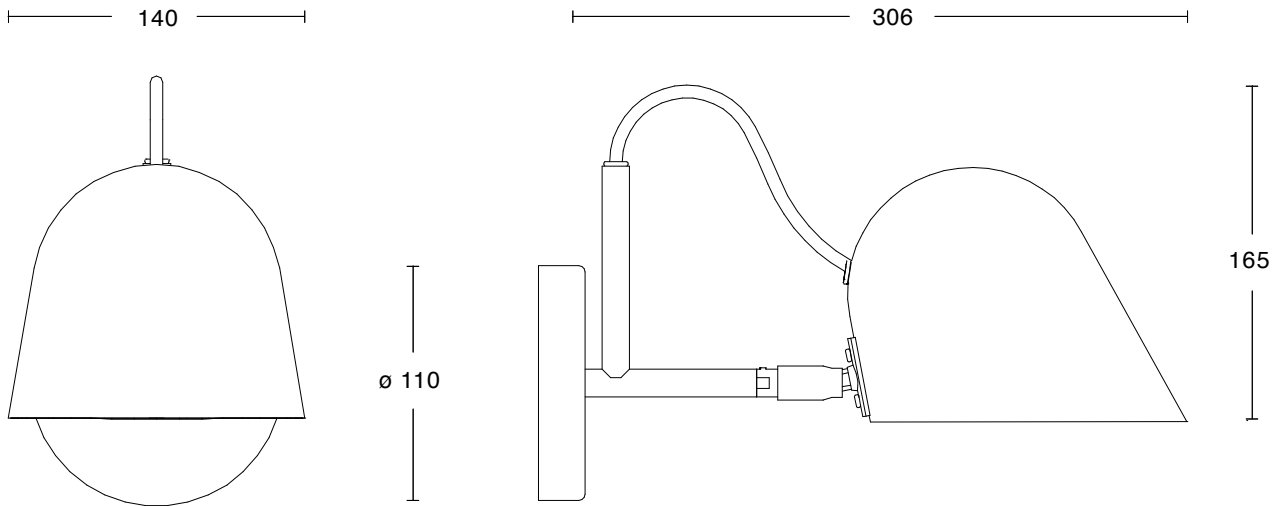
TECHNICAL SPECIFICATION

Design	Joel Karlsson
Electrical data	Class I IP20 230V
Description	Switch inside shade. Adjustable shade. Housing
Connection	Hard-wired
Light source	Fixed 1x6W LED-module 130° included, dimmable

ARTICLE NO. & MODEL

30922F01-000	White RAL9016/ brass. Hard-wired
30922F02-000	Warmgrey RAL7032/ brass. Hard-wired
30922F10-000	Misty blue NCS 5020-B10G/ brass. Hard-wired
30922F15-000	Black RAL9005/ brass. Hard-wired

Dimensions



STRECK WALL LAMP