



**SPUL120**  
Design by Timo Ripatti

Collection consisting of wall lamps, ceiling lamps and suspended lamps in aluminium.  
Available in several colours and sizes.  
Available with sound absorbing panel option.

Typology: SUSPENDED

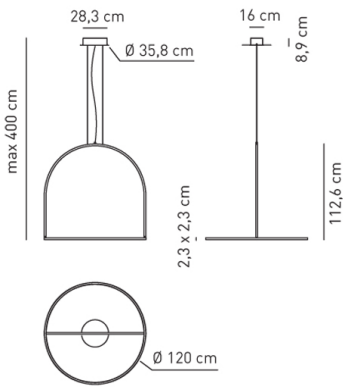
Ratings

- Built in **LED** module
- CCT 3000 K or 2700K
- Downlight
- Surface installation over holes
- Supply voltage ~100-240VAC
- Switch mode: on-off
- Dimmable 1-10V LED driver
- Painted aluminium profile 23 x 23 mm
- Opalescent diffuser

Product code composition

U-LIGHT / downward lighting only / DRIVER INCLUDED

kg 8.2 m3 0.33



Type	Article	Colours	Code End	Source
SP	ULI 120 LED	AN anthracite grey RU rust brown	XX	LED 86W - diffused beam <b>3000K*, 2700K</b> other CCT options available upon request

CE IP20 CRI90 **LED** ~7354 lm\* 86 lm/W\* 100-240Vac

-sound absorbing option upon request- for more information see [www.axolight.eu/u-light/u-light-sound-absorbing.pdf](http://www.axolight.eu/u-light/u-light-sound-absorbing.pdf)

Available colors



AN  
Anthracite grey

RU  
Rust brown

Sound absorbing option upon request

EELc (Energy Efficiency Label compatibility) contain built in LED lamps that cannot be changed: A, A+, A++

CUSTOMER \_\_\_\_\_ NOTES \_\_\_\_\_

SPUL120LED \_ \_ XX

\_\_\_\_\_

Luminous flux (lm) and efficacy (lm/W) for all built-in LED luminaires is based on nominal ratings of the LED sources.  
Technical data could be subject to alteration without notice. Axo Light does not provide legal guarantee for the accuracy of this data sheet.