



SP LAY D

Design by Vanessa Vivian

Collection consisting of suspended lamps with a metal frame covered with strips of extra smooth flame-retardant pongé fabric. Available in several colours and sizes. Screw fitting light source.

Typology: SUSPENSION LAMP

Ratings

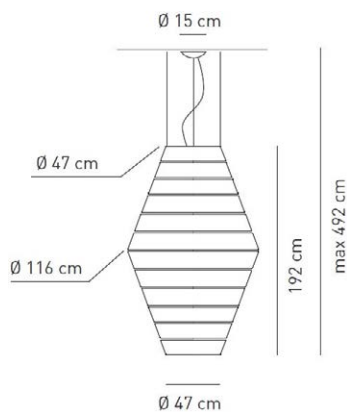
- E27
- Diffused light
- Surface installation over holes
- Supply voltage ~220-240V
- Switch mode: on-off
- Steel frame

Product code composition

LAYERS / diffuser INCLUDED, with upward and downward lighting

Type	Article	Colours	Finish	Source
SP	LAY D XX E27	BC white AR orange BW warm white GI gold yellow GR light grey GS dark grey MT brick red RB burgundy RS red VE light green M1 multicolor 1: RB+RS+AR+GI M2 multicolor 2: GS+GR+BC	XX	E27 9 x Max 16W LED or 9 x Max 20W fluo or 9 x Max 70W halo

kg 29.3 m³ 0.76

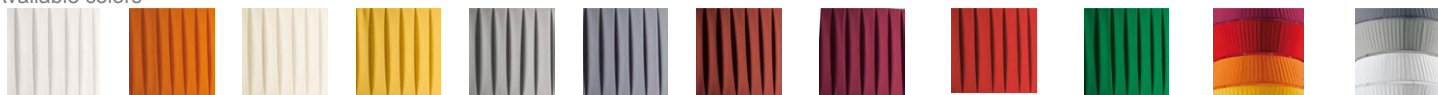


Extra smooth flame retardant pongé fabric
 Composition 100% polyester
 Weight 55 ±5% gr/m²
 Glow wire 960 °C

CE IP20 +LED

example composition code | SP | LAYDXXE27 | RS | XX

Available colors



BC White	AR Orange	BW Warm white	GI Gold yellow	GR Light grey	GS Dark grey	MT Brick red	RB Burgundy	RS Red	VE Light green	M1 Multicolor M1	M2 Multicolor M2
-------------	--------------	------------------	-------------------	------------------	-----------------	-----------------	----------------	-----------	-------------------	---------------------	---------------------

EELc (Energy Efficiency Label compatibility): E, D, C, B, A, A+, A++

SPLAYDXXE27__XX CUSTOMER _____ NOTES _____

Luminous flux (lm) and efficacy (lm/W) for all built-in LED luminaires is estimated based on nominal ratings of the LED sources. Technical data could be subject to alteration without notice. Axo Light does not provide legal guarantee for the accuracy of this data sheet.