



SP LAY C

Design by Vanessa Vivian

Collection consisting of suspended lamps with a metal frame covered with strips of extra smooth flame-retardant pongé fabric. Available in several colours and sizes. Screw fitting light source.

Typology: SUSPENSION LAMP

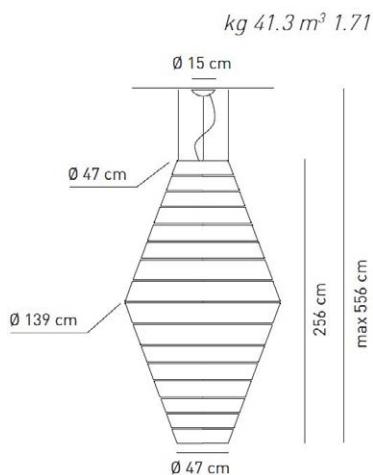
Ratings

- E27
- Diffused light
- Surface installation over holes
- Supply voltage ~220-240V
- Switch mode: on-off
- Steel frame

Product code composition

LAYERS / diffuser *INCLUDED*, with upward and downward lighting

| Type | Article | Colours | Finish | Source |
|------|-------------|---|--------|---|
| SP | LAY CXX E27 | BC white AR orange BW warm white GI gold yellow GR light grey GS dark grey MT brick red RB burgundy RS red VE light green M1 multicolor 1: RB+RS+AR+GI M2 multicolor 2: GS+GR+BC | XX | E27 15 x Max 16W LED or 15 x Max 20W fluo or 15 x Max 70W halo |

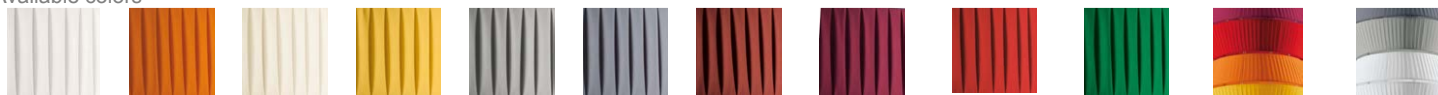


Extra smooth flame retardant pongé fabric
 Composition 100% polyester
 Weight 55 ±5% gr/m²
 Glow wire 960 °C



example composition code | SP | LAYCXXE27 | RS | XX

Available colors



- BC
White
- AR
Orange
- BW
Warm white
- GI
Gold yellow
- GR
Light grey
- GS
Dark grey
- MT
Brick red
- RB
Burgundy
- RS
Red
- VE
Light green
- M1
Multicolor M1
- M1
Multicolor M2

EELc (Energy Efficiency Label compatibility): E, D, C, B, A, A+, A++

CUSTOMER _____ NOTES _____

SPLAYCXXE27_XX

Luminous flux (lm) and efficacy (lm/W) for all built-in LED luminaires is estimated based on nominal ratings of the LED sources. Technical data could be subject to alteration without notice. Axo Light does not provide legal guarantee for the accuracy of this data sheet.