



**SP FAIRY I recessed**  
Design by Manuel Vivian

Collection consisting of recessed downlights, wall lamps, ceiling lamps and suspended lamps with chromed metal frame and glass diffuser. Available in several colours and sizes. Built-in (dimnable for some versions) LED light source.

Typology: suspended

Ratings

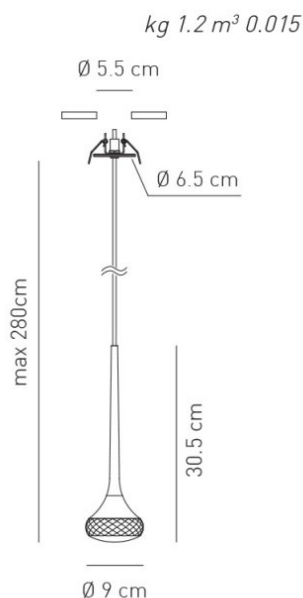
- Built in **LED** module
- CCT 2700 K
- Diffused light
- Surface installation in ceiling cut-out
- Supply constant current 350mA
- Switch mode: on-off
- Aluminum body, chrome

Product code composition

**FAIRY / DRIVER NOT INCLUDED**

Type	Article	Colours	Finish	Source
SP	FAIRY I	<b>CS</b> crystal	<b>CR</b> chrome	<b>LED</b> 6,2W - 350mA diffused beam - 2700K
		<b>AM</b> amber	<b>BR</b> matt bronze	
		<b>GR</b> grey	<b>NI</b> matt nickel	

*Gli articoli in rosso sono disponibili solo fino ad esaurimento scorte. Articles in red are available until sold out.*



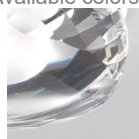
CE IP20 CRI90 ~565 lm 91 lm/W

foro - hole Ø 5,5 cm / profondità min - min depth 10 cm - Collegare in serie. / Wire in series.

example composition code |SP |FAIRYI |AM |NI |LED

For optional accessories/drivers or dimming technology please refer to our pricelist, website or contact our representatives

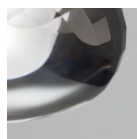
Available colors



**CS**  
Crystal



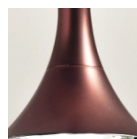
**AM**  
Amber



**GR**  
Grey



**CR**  
Chrome



**BR**  
Matt bronze



**NI**  
Matt nickel

EELc (Energy Efficiency Label compatibility) contain built in LED lamps that cannot be changed: A, A+, A++

CUSTOMER \_\_\_\_\_ NOTES \_\_\_\_\_

SPFAIRYI \_ \_ \_ \_ LED

NOTICE:  
Luminous flux (lm) and efficacy (lm/W) for all built in LED luminaires is based on nominal ratings of the LED sources.  
Technical data could be subject to alteration without notice. Axo Light does not provide legal guarantee for the accuracy of this data sheet.