



SPSHATTM

Design by Serge & Robert Cornelissen

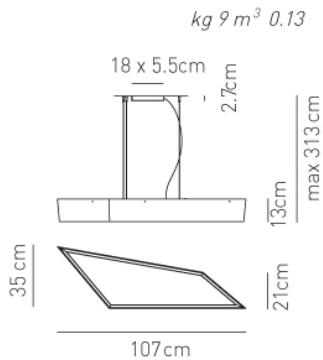
Collection consisting of wall lamp, ceiling lamps and suspended lamps in white aluminium. Available in several sizes. Built-in dimmable LED light source.

Typology: SUSPENDED

Ratings

- Built in **LED** module
- CCT 3000 K
- Downlight
- Surface installation over holes
- Supply voltage ~220-240V
- Switch mode: on-off
- Dimmable DALI LED driver
- Painted aluminium
- Opalescent diffuser

Product code composition



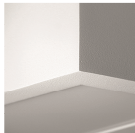
SHATTER

Type	Article	Colours	Code End	Source
PL	SHATT M LED	BC white	XX	LED 65,6W - diffused beam 3000K

IP20 CRI80 **LED** ~4960 lm 76 lm/W

example composition code | PL | SHATTMLED | BC | XX |

Available colors



BC
Wrinkled
white
aluminium

SPSHATTMLEDBCXX CUSTOMER _____ NOTES _____

NOTICE:

Luminous flux (lm) and efficacy (lm/W) for all LED luminaires is estimated based on nominal ratings of the LED sources. Technical data could be subject to alteration without notice. Axo Light does not provide legal guarantee for the accuracy of this data sheet.