



**PLSHATTP**

Design by Serge & Robert Cornelissen

Collection consisting of wall lamp, ceiling lamps and suspended lamps in white aluminium. Available in several sizes.

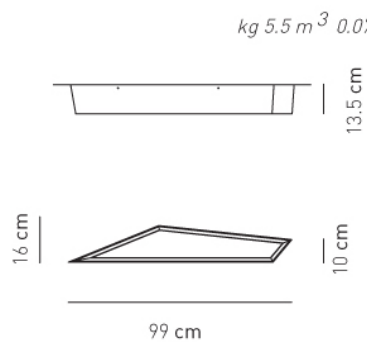
Typology: CEILING

Ratings

- Built in **LED** module
- CCT 3000 K
- Downlight
- Surface installation over holes
- Supply voltage ~220-240V
- Switch mode: on-off
- Dimmable DALI LED driver
- Painted aluminium
- Opalescent diffuser

Product code composition

SHATTER / DRIVER INCLUDED



Type	Article	Colours	Code End	Source
PL	SHATT P LED	BC white	XX	LED 35W – diffused beam 3000K*, 4000K

Gli articoli in rosso sono disponibili solo fino ad esaurimento scorte. Articles in red are available until sold out.

~4960 lm\* 142 lm/W\* 110-240Vac  
 example composition code PL SHATTPLED BC XX

Available colors



**BC**  
Wrinkled  
white  
aluminium

EELc (Energy Efficiency Label compatibility) contain built in LED lamps that cannot be changed: A, A+, A++

CUSTOMER \_\_\_\_\_ NOTES \_\_\_\_\_

PLSHATTPLEDBCXX \_\_\_\_\_

NOTICE:  
Luminous flux (lm) and efficacy (lm/W) for all LED luminaires is based on nominal ratings of the LED sources.  
Technical data could be subject to alteration without notice. Axo Light does not provide legal guarantee for the accuracy of this data sheet.