

**SPSHATTG**

Design by Serge & Robert Cornelissen

Collection consisting of wall lamp, ceiling lamps and suspended lamps in white aluminium. Available in several sizes.

Typology: SUSPENDED

Ratings

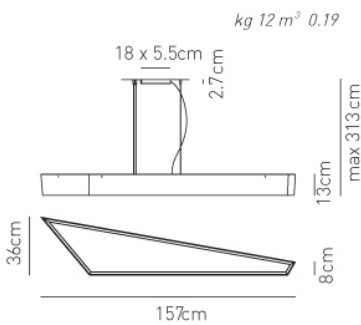
- Built in **LED** module
- CCT 3000 K
- Downlight
- Surface installation over holes
- Supply voltage ~220-240V
- Switch mode: on-off
- Driver dimmable DALI LED driver
- Painted aluminium
- Opalescent diffuser

Product code composition

**SHATTER** / DRIVER INCLUDED / solo luce verso il basso / downward lighting only

Type	Article	Colours	Code End	Source
SP	SHATT G LED	BC white	XX	LED 105W - diffused beam 3000K*, 4000K

Gli articoli in rosso sono disponibili solo fino ad esaurimento scorte. Articles in red are available until sold out.



IP20 CR180 **LED** ~14880 lm\* 142 lm/W\* 110-240VAc  
 example composition code SP SHATTGLED BC XX

Available colors



**BC**  
Wrinkled  
white  
aluminium

EELc (Energy Efficiency Label compatibility) contain built in LED lamps that cannot be changed: A, A+, A++

CUSTOMER \_\_\_\_\_ NOTES \_\_\_\_\_

SPSHATTGLEDBCXX \_\_\_\_\_

NOTICE:

Luminous flux (lm) and efficacy (lm/W) for all LED luminaires is based on nominal ratings of the LED sources. Technical data could be subject to alteration without notice. Axo Light does not provide legal guarantee for the accuracy of this data sheet.