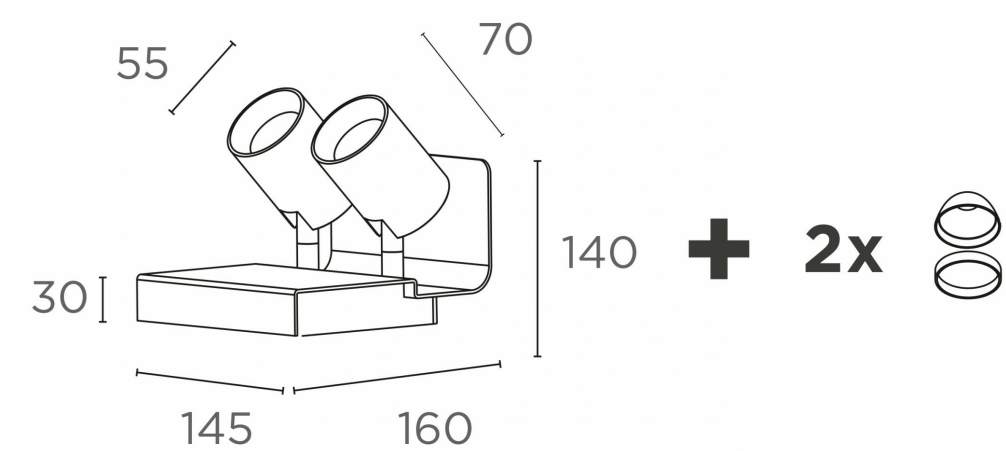


| | |
|----------------------------------|---|
| Body finish | <div style="display: flex; justify-content: space-around;"> <div style="text-align: center;"> Matt white </div> <div style="text-align: center;"> Matt black </div> </div> <div style="display: flex; justify-content: space-around; margin-top: 5px;"> <div style="text-align: center;"> Concrete grey </div> </div> |
| Optics | Order separately |
| Ring Colour | <div style="display: flex; justify-content: space-around;"> <div style="text-align: center;"> Lacquered red </div> <div style="text-align: center;"> Matt orange </div> </div> <div style="display: flex; justify-content: space-around; margin-top: 5px;"> <div style="text-align: center;"> Spring green </div> <div style="text-align: center;"> Corn yellow </div> </div> <div style="display: flex; justify-content: space-around; margin-top: 5px;"> <div style="text-align: center;"> Matt white </div> <div style="text-align: center;"> Matt black </div> </div> <div style="display: flex; justify-content: space-around; margin-top: 5px;"> <div style="text-align: center;"> Concrete grey </div> </div> |
| Beam angle | <div style="display: flex; justify-content: space-between;"> <div style="text-align: left;"> Spot 29° Large 53° </div> <div style="text-align: left;"> Medium 47° </div> </div> |
| Accessories | <div style="display: flex; justify-content: space-between;"> <div style="text-align: left;"> Narrow Optics 10° ⁽¹⁾ Satin diffuser </div> <div style="text-align: left;"> Honeycomb louvre </div> </div> |
| Nominal Output | 2400 lm |
| Power | 2x13W |
| Ingress Protection Rating | IP20 |
| Flammable surfaces | Can be installed on normally flammable surfaces (90°) |
| Colour Temperature | <div style="display: flex; align-items: center;"> <div style="width: 12px; height: 12px; background-color: #fff; border-radius: 50%; border: 1px solid #ccc; margin-right: 5px;"></div> 3000K </div> |
| Distribution | Indirect Wall |
| Energetic Class | Energy Class A+ |
| Insulation Class | Class I - Earth Connexion |
| Weight | 1.65 kg |



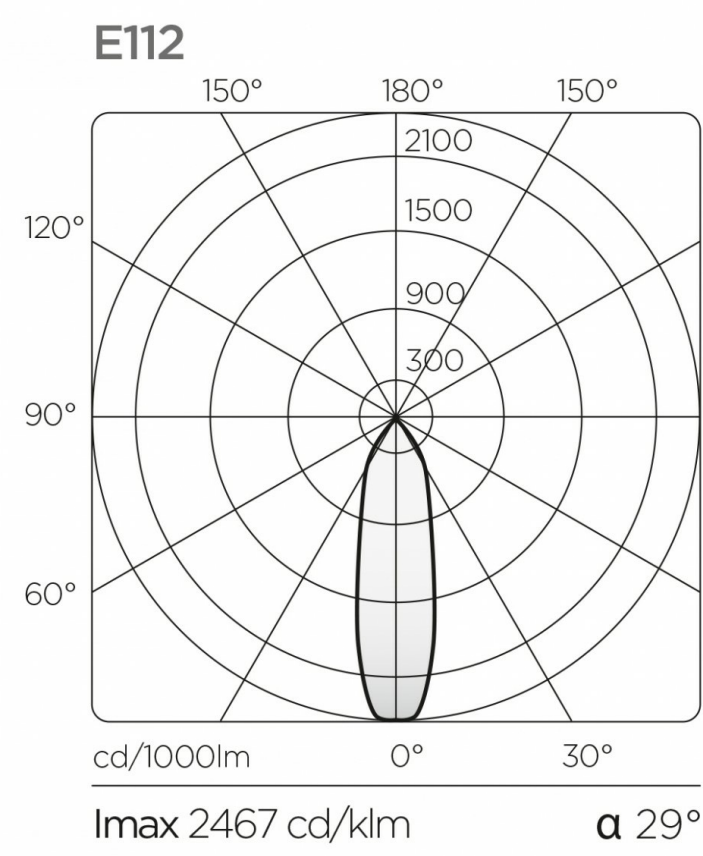
⁽¹⁾ With this accessory there is no need to order coloured rings with optics

Notes The image of each product has a representative purpose

Product description

LED wall or ceiling luminaire with two adjustable spotlights with proprietary joint allowing for 350° horizontal and +90°/-90° vertical adjustment. The body is manufactured from die-cast aluminium alloy 6060 with heat dissipating function. Wall fixings with nylon plugs. Optics available in Spot (29°), Medium (47°) and Large (53°). Optics come complete with a decorative ring that is available in seven liquid-coated finish options. The luminaire is available in matte white, matte black and concrete grey. Accessories include narrow optics attachment, honeycomb louvre and satin diffuser. Supplied in 3000K and CRI85 as standard. Available in CRI95, 2700K, 4000K. DALI, PUSH and 1-10V dimming options upon request. Ingress protection of IP20.

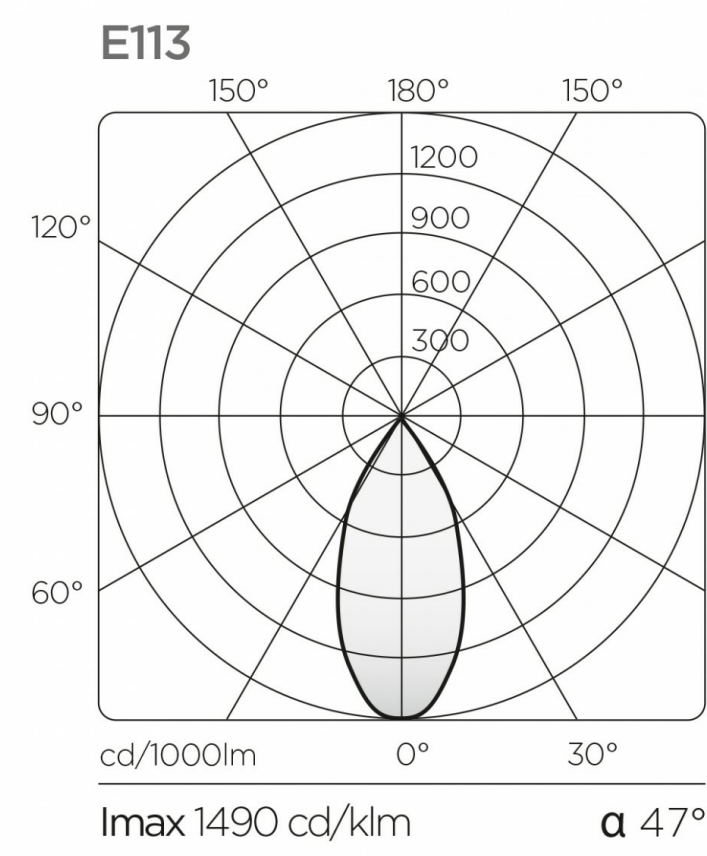
Photometric information



| h (m) | Ø | Em (lux/klm) |
|-------|------|--------------|
| h1 | 0,52 | 2467 |
| h2 | 1,04 | 617 |
| h3 | 1,57 | 274 |
| h4 | 2,09 | 154 |
| h5 | 2,61 | 99 |

PLURIEL PLUS

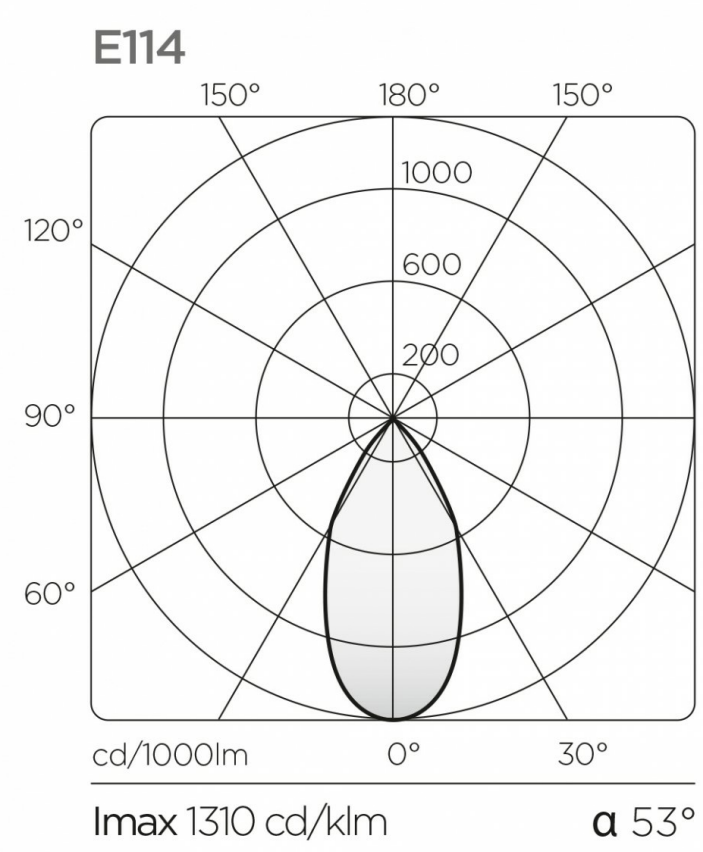
| | |
|-------------------|-------|
| POWER | 13W |
| SOURCE CONSUPTION | 11,8W |
| CRI | 85 |
| CCT (K) | 3000 |
| NOMINAL FLUX (lm) | 1700 |
| FIXTURE FLUX (lm) | 1185 |
| EFFICIENCY (lm/W) | 100,4 |



| h (m) | Ø | Em (lux/klm) |
|-------|------|--------------|
| h1 | 0,87 | 1490 |
| h2 | 1,74 | 372 |
| h3 | 2,61 | 166 |
| h4 | 3,48 | 93 |
| h5 | 4,35 | 60 |

PLURIEL PLUS

| | |
|-------------------|-------|
| POWER | 13W |
| SOURCE CONSUPTION | 11,8W |
| CRI | 85 |
| CCT (K) | 3000 |
| NOMINAL FLUX (lm) | 1700 |
| FIXTURE FLUX (lm) | 1174 |
| EFFICIENCY (lm/W) | 99,4 |



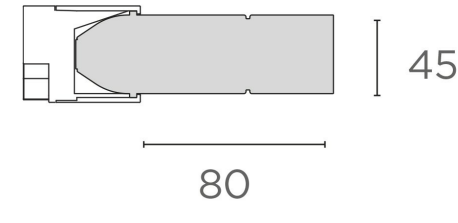
| h (m) | Ø | Em (lux/klm) |
|-------|------|--------------|
| h1 | 1,00 | 1310 |
| h2 | 2,00 | 327 |
| h3 | 3,01 | 146 |
| h4 | 4,01 | 82 |
| h5 | 5,01 | 52 |

PLURIEL PLUS

| | |
|-------------------|-------|
| POWER | 13W |
| SOURCE CONSUPTION | 11,8W |
| CRI | 85 |
| CCT (K) | 3000 |
| NOMINAL FLUX (lm) | 1700 |
| FIXTURE FLUX (lm) | 1165 |
| EFFICIENCY (lm/W) | 98,7 |

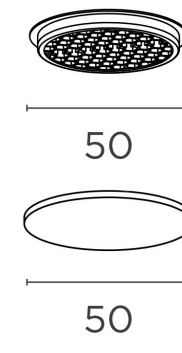
Accessories

9Q31252-Narrow Optics 10°



Matt black. With this accessory there is no need to order coloured rings with optics

9G025-Honeycomb louvre



The accessory consists of a protective screen and black honeycomb grid.

9G026-Satin diffuser

