



**PL SPIL M I**  
Design by Manuel Vivian

Collection consisting of wall lamps, recessed ceiling lamps and suspended lamps. The diffusers are made of glass with chrome-plated metal frame. Available in several colours and sizes. Halo or LED light source.

Typology: recessed ceiling lamp

**Ratings**

- G4
- Diffused light
- Surface installation in ceiling cut-out
- Switch mode: on-off
- Metal body, chrome
- Clear or coloured diffuser

**12V (••) VERSION**

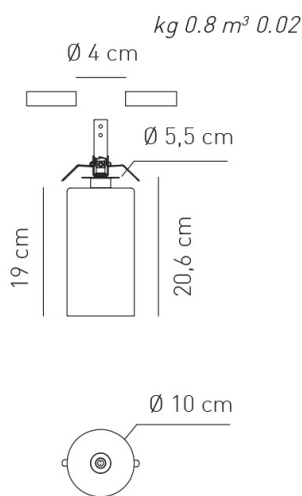
- Supply voltage 12Vac

**G4L (•) VERSION**

- CCT of the included LED lamp 3000 K
- Supply voltage 12Vdc

Product code composition

**SPILLRAY / TRANSFORMER OR DRIVER NOT INCLUDED**



Type	Article	Colours	Finish	Source
PL	SPIL M I	CS crystal	CR chrome	<b>12V (••)</b> G4 1xMax 20W 12Vac halo <b>included</b>
		RS red		<b>G4L (•)</b> G4 1xMax 1,5W 12Vdc LED <b>included - only LED bulb</b>
		GR grey		

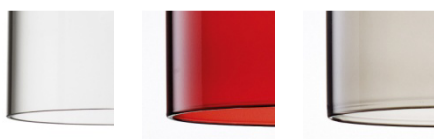
CE III (••) with dedicated PSU IP20 LED (•)

foro - hole ∅ 4 cm / profondità min - min depth 10 cm

example composition code | PL | SPILMI | RS | CR | G4L

For optional accessories/drivers or dimming technology please refer to our pricelist, website or contact our representatives

Available colors



CS  
Crystal

RS  
Red

GR  
Grey

12V - EELc (Energy Efficiency Label compatibility): **C**, B

G4L - EELc (Energy Efficiency Label compatibility): A, **A+**, A++

The energy class letter in bold format is related to the bulb supplied together with the specific article

CUSTOMER \_\_\_\_\_ NOTES \_\_\_\_\_

PLSPILMI \_\_ CR\_\_

Luminous flux (lm) and efficacy (lm/W) for all built in LED luminaires is estimated based on nominal ratings of the LED sources. Technical data could be subject to alteration without notice. Axo Light does not provide legal guarantee for the accuracy of this data sheet.