



LTMUSEG
Design by Sandro Santantonio

Collection consisting of ceiling or wall lamps, suspended lamps and table lamps with metal frame and removable, washable elastic fabric covering. Available in several colours and sizes. Screw fitting light source.

Typology: Table

Ratings

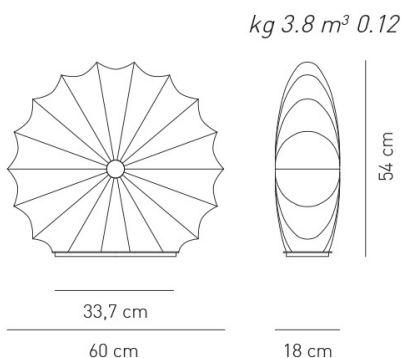
- E27
- Diffused light
- Table lamp, plug-in
- Supply voltage ~220-240V
- Switch mode: on-off with dimmer
- Steel frame, painted

Product code composition

MUSE / tessuto INCLUSO / fabric INCLUDED

Type	Article	Colours	Finish	Source
LT	MUSE G X	BC white	XX white metal	E27 1 x Max 20W LED or 1 x Max 105W halo (dimnable lamps required)

CE IP20 +LED
example composition code |LT| MUSEGX |BC| XX |E27



Silk stretch fabric

Comp. 80% polyamide, 20% elastane (Spandex).

Weight 195/215 gr/m² for white BC.

Light fastness (ISO 105 B02) from 3 to 6

Glow wire 850°C for white BC.

Available colours



BC
White

EELc (Energy Efficiency Label compatibility): E, D, C, B, A, A+,A++

LTMUSEGXBCXXE27

CUSTOMER _____ NOTES _____

Luminous flux (lm) and efficacy (lm/W) for all built-in LED luminaires is estimated based on nominal ratings of the LED sources. Technical data could be subject to alteration without notice. Axo Light does not provide legal guarantee for the accuracy of this data sheet.