



PLORCHID
Design by Rainer Mutsch

Collection consisting of aluminium wall lamps, ceiling lamps, suspended lamps, floor and table lamps.
Available in several colours.

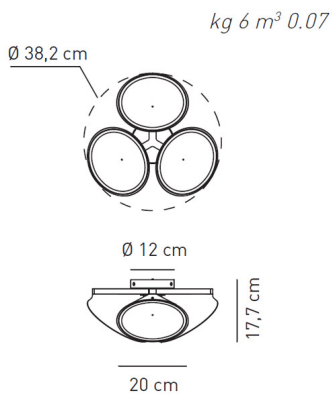
Typology: CEILING

Ratings

- Built in line voltage **LED** module
- CCT 3000 K , 2700K, 4000K
- Downlight
- Surface installation over holes
- Supply voltage ~220-240V
- Switch mode: on-off dimmable trailing edge
- Die cast aluminium body, painted
- Opalescent diffuser

Product code composition

ORCHID



Type	Article	Colours	Code End	Source
PL	ORCHID	BC white	XX	LED 3 x 10W - diffused beam 3000K*, 2700K, 4000K
		SA sand		
		AN anthracite grey		

IP20 CRI90 220-240VAC **LED** 3 x ~800 lm* 80lm/W*
 example composition code **PL ORCHID SA XX LED**

Available colors



SA
Sand
BC
White
AN
Anthracite
grey

EELc (Energy Efficiency Label compatibility) contain built in LED lamps that cannot be changed: A, A+, A++

CUSTOMER _____ NOTES _____

PLORCHID _ _ XXLED _____

NOTICE: Luminous flux (lm) and efficacy (lm/W) for all LED luminaires is based on nominal ratings of the LED sources.
Technical data could be subject to alteration without notice. Axo Light does not provide legal guarantee for the accuracy of this data sheet.