



E211X10714

Design by S. & R. Cornelissen

Collection consisting of wall lamps and suspended lamps in white metal. Built-in LED light source mono-emitting or bi-emitting.

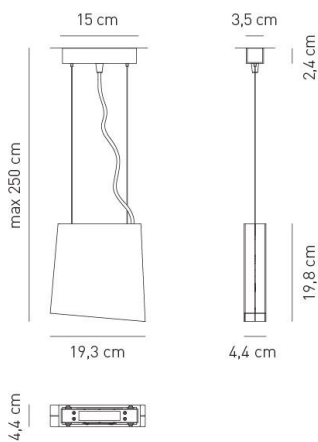
Typology: SUSPENDED LAMP

Ratings

- Built in **LED** module
- CCT 3000 K
- Downlight or downlight and uplight
- Surface installation over holes
- Supply voltage ~220-240V
- Switch mode: on-off dimmable trailing edge
- Metal sheet, painted

Product code composition

kg 1.9 m³ 0.0065



RYTHMOS / LED 9W (monoemitting) / LED 15W (biemitting)

Zone	Type	Article	System compatibility	Finish	LED colour temperature	Beam options
E	2	115	1 monopoint canopy version	07 white 9016 matt	1 3000 K	4 diffused
E	2	116				

CE IP20 CRI85 **LED** LED 9W ~397 lm 44 lm/W | LED15W ~397 lm 42 lm/W

example composition code | E | 2 | 116 | 1 | 07 | 1 | 4

Available colors



07
White 9016
matt

EELc (Energy Efficiency Label compatibility) contain built in LED lamps that cannot be changed: A, A+, A++

CUSTOMER _____ NOTES _____

E211_10714

NOTICE:

Luminous flux (lm) and efficacy (lm/W) for all LED luminaires is estimated based on nominal ratings of the LED sources. Technical data could be subject to alteration without notice. Axo Light does not provide legal guarantee for the accuracy of this data sheet.