



E1111X0714
Design by S. & R. Cornelissen

Collection consisting of wall lamps and suspended lamps in white metal. Built-in LED light source mono-emitting or bi-emitting.

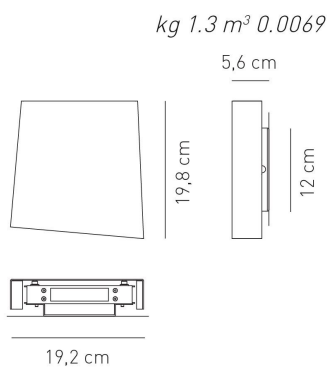
Typology: WALL LAMP

Ratings

- Built in **LED** module
- CCT 3000 K
- Downlight or downlight and uplight
- Surface installation over holes
- Supply voltage ~220-240V
- Switch mode: on-off dimmable trailing edge
- Metal sheet, painted

Product code composition

RYTHMOS / LED 9W (monoemitting) or 18W (biemitting)



Zone	Type	Article	System compatibility	Finish	LED colour temperature	Beam options
E	1	111	8 9	07 white 9016 matt	1 3000 K	4 diffused

IP20 ADA CRI85 LED ~397 lm - 44 lm/W (monoemitting) 802 lm - 45 lm/W (biemitting)

example composition code | E | 1 | 111 | 8 | 07 | 1 | 4

Available colors



07
White 9016
matt

EELc (Energy Efficiency Label compatibility) contain built in LED lamps that cannot be changed: A, A+, A++

CUSTOMER _____ NOTES _____

E1111_0714 _____

NOTICE:
Luminous flux (lm) and efficacy (lm/W) for all LED luminaires is estimated based on nominal ratings of the LED sources. Technical data could be subject to alteration without notice. Axo Light does not provide legal guarantee for the accuracy of this data sheet.