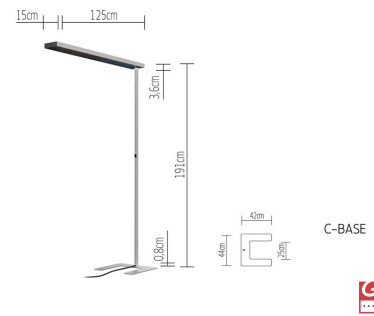


XT-A FLOOR PLUS 120 C-BASE satin/black XA20-0



TECHNICAL SPECIFICATIONS

Lamp holder	LED
Mounting method	Floor
Light emission	10% direct / 90% indirect
Light distribution	symmetric
Luminaire luminous flux	16000 lm
Color temperature	3500 K
Power consumption (maximum)	108 W
Colour rendering index (CRI)	>80
Complies with EN12464	Yes
max. luminance >65°	550 cd/qm
UGR	13.2
Rated voltage (range)	220-240 V
Power frequency	50-60 Hz
Surface	satined
Housing material	aluminium
Type of lamp control gear	Driver
Ballast included	Yes
Protection class	I
Energy efficiency	A - A++
Dimmable	Yes
Type of Dimmer	Integrated pushbutton
Presence sensor	Yes
Sensors can be switched off	Yes
With constant light controller	Yes
Remote control included	Yes
Material of the grid	plastic
Width	150 mm
Height	1910 mm
Length of connection cable	2900 mm
lamphead is rotatable	Yes

LIGHT DIAGRAM

