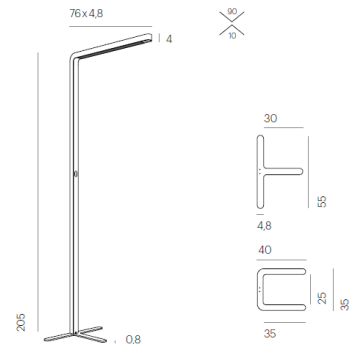


# TEAM ONE grey

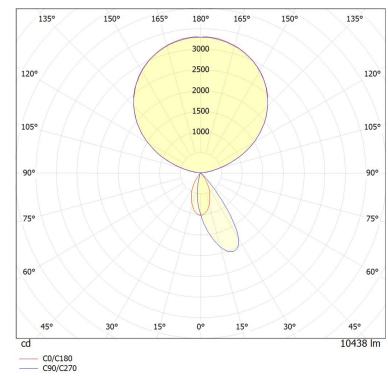
TM15-2



## TECHNICAL SPECIFICATIONS

Lamp holder	LED
Mounting method	Floor
Light distribution	symmetric
Luminaire luminous flux	10400 lm
Color temperature	3500 K
Power consumption (maximum)	80 W
Colour rendering index (CRI)	94 & 83
Direct color rendering index (CRI)	94
Indirect color rendering index (CRI)	83
Complies with EN12464	Yes
max. luminance >65°	< 1000 cd/qm
UGR	< 10
Rated voltage (range)	220-240 V
Power frequency	50-60 Hz
Surface	powder-coated
Housing material	aluminium
Type of lamp control gear	Driver
Ballast included	Yes
Protection class	I
Number of lampheads	1
Energy efficiency	A - A++
Dimmable	Yes
Type of Dimmer	Touch Dim
Material of the grid	plastic
Length of connection cable	2000 mm
Weight	8 kg
lamphead is rotatable	No

## LIGHT DIAGRAM



tobias grau