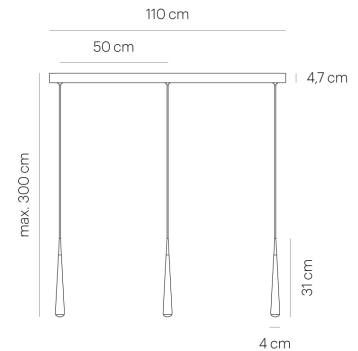
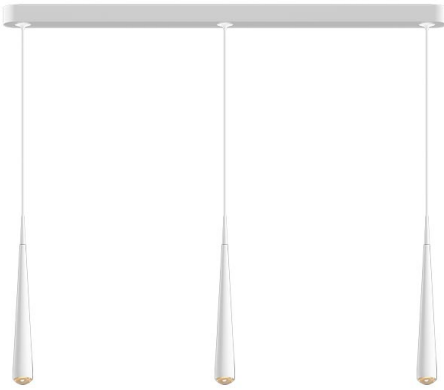


NICEONE TRACE 3/110 white/white/white
CNO13-3

warmDIM



TECHNICAL SPECIFICATIONS

Lamp holder	LED
Mounting method	ceiling-mounted (surface)
warmDIM	Yes
Light emission	direct
Light distribution	symmetric
Luminaire luminous flux	3 x 620 lm
Colour temperature	2700 K
Colour rendering index (CRI)	> 90
Rated voltage (range)	220-240 V / 120 V
Power frequency	50/60 Hz
Power consumption (maximum)	3x11 W
Housing material	aluminium
Type of lamp control gear	Driver
Ballast included	Yes
Protection class	I
Connection cable (number of cores)	3
Number of lampheads	3
Energy efficiency	A - A++
Dimmable	Yes
Type of Dimmer	phase rotary dimmer
Height	310 mm
Diameter	40 mm
Head adjustable	No
Height adjustable	No
Suspension length	-/3000 mm
Custom length	Yes