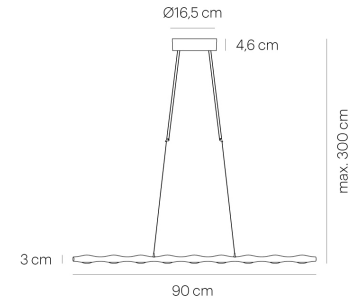
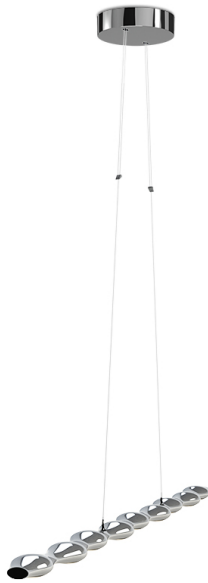


MOVE ALONG 9 chrome

KM01-0



TECHNICAL SPECIFICATIONS

Lamp holder	LED
Mounting method	Pendant
Light emission	direct
Light distribution	symmetric
Level of light output efficiency	100 %
Luminaire luminous flux	1359 lm
Colour temperature	2700 K
Colour rendering index (CRI)	> 90
White impression	warm white
Rated voltage (range)	220-240 V / 120 V
Power frequency	50/60 Hz
Power consumption (maximum)	23 W
Surface	chromed
Housing material	die cast zinc
Type of lamp control gear	Driver
Ballast included	Yes
Protection class	I
Energy efficiency	A - A++
Dimmable	Yes
Type of Dimmer	Phase cutting (electronic)
Length	900 mm
Suspension length	-/3000 mm
Fire protection "F"	Yes

LIGHT DIAGRAM

