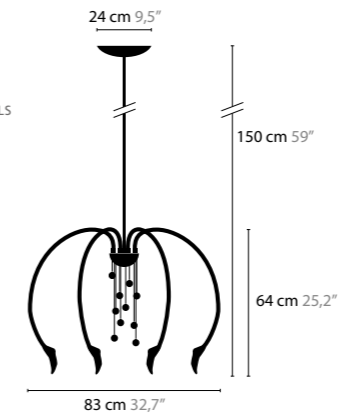


CHILL OUT

CHILL OUT IS A REGISTERED DESIGN BY COEN MUNSTERS 2005

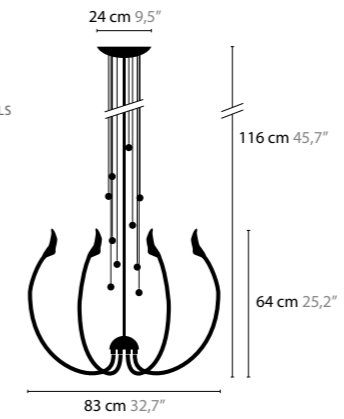
CHILL OUT H6

10310 / WITHOUT CRYSTAL
10311 / WITH 10 SWAROVSKI STRASS BALLS
 BASE: 6 X G9 / 220V / MAX. 40W
 COLORS: 00-01-02-05-16



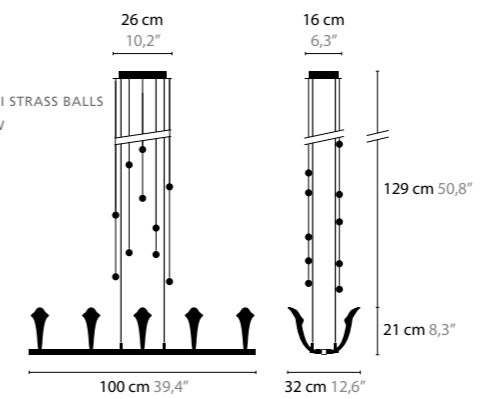
CHILL OUT H6U

10316 / WITHOUT CRYSTAL
10317 / WITH 10 SWAROVSKI STRASS BALLS
 BASE: 6 X G9 / 220V / MAX. 40W
 COLORS: 00-01-02-05-16



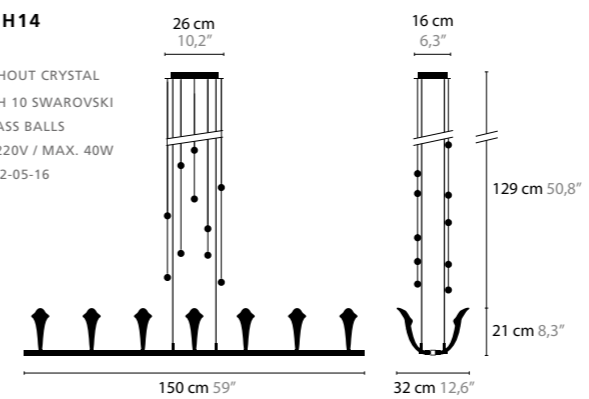
CHILL OUT H10

10334 / WITHOUT CRYSTAL
10335 / WITH 10 SWAROVSKI STRASS BALLS
 BASE: 10 X G9 / 220V / MAX. 40W
 COLORS: 00-01-02-05-16



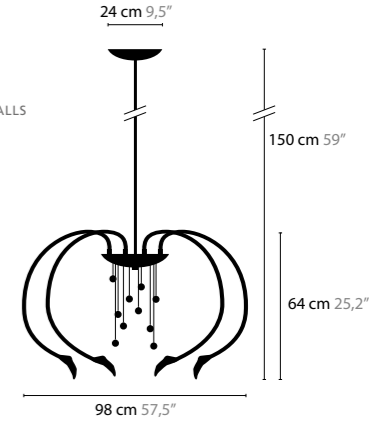
CHILL OUT H14

10340 / WITHOUT CRYSTAL
10341 / WITH 10 SWAROVSKI STRASS BALLS
 BASE: 14 X G9 / 220V / MAX. 40W
 COLORS: 00-01-02-05-16



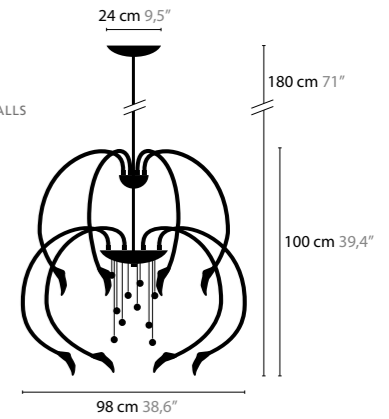
CHILL OUT H8

10322 / WITHOUT CRYSTAL
10323 / WITH 10 SWAROVSKI STRASS BALLS
 BASE: 8 X G9 / 220V / MAX. 40W
 COLORS: 00-01-02-05-16



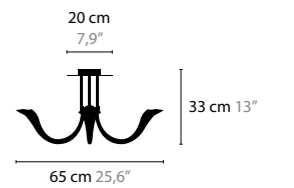
CHILL OUT H12

10328 / WITHOUT CRYSTAL
10329 / WITH 10 SWAROVSKI STRASS BALLS
 BASE: 12 X G9 / 220V / MAX. 40W
 COLORS: 00-01-02-05-16



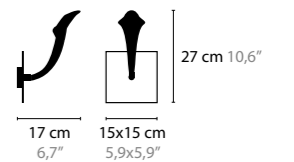
CHILL OUT C5

10380
 BASE: 5 X G9 / 220V / MAX. 40W
 COLORS: 00-01-02-05-16



CHILL OUT W1

10360
 BASE: 1 X G9 / 220V / MAX. 40W
 COLORS: 00-01-02-05-16



PRIVATE RESIDENCE HOLLAND
 Photography: Patrick Rovers