



SP MANTO
Davide Besozzi

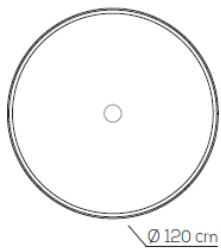
Collection consisting of aluminum and steel suspended lamps. Blown opaline glass and elastic removable fabric diffuser. The height position of the diffuser can be adjust. Available in three sizes. Built-in dimmable LED light source.

Typology: suspended

Ratings

- Built in **LED** module
- CCT 3000 K
- diffused beam
- Surface installation over holes
- Supply voltage ~110-240V
- Switch mode: on-off
- Aluminum-Steel body

kg 6,27 m³0, 194



Product code composition

MANTO / DRIVER INCLUDED

Type	Article	Colours	Finishings	Source
SP	MAN 120	GR light grey	XX	LED 24W - diffused beam 3000K*, 2700K



IP20 CRI>90

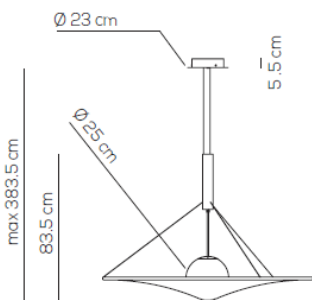


100-277V_{AC} **LED**

~2507 lm*

~104 lm/W*

example composition code SP MAN120 GR XX LED



Available colors



White fabric /
light grey
finishes

EELc (Energy Efficiency Label compatibility) contain built in LED lamps that cannot be changed: A, A+, A++

SPMAN120GRXXLED

CUSTOMER _____

NOTES _____

NOTICE: Luminous flux (lm) and efficacy (lm/W) for all built in LED luminaires is based on nominal ratings of the LED sources. Technical data could be subject to alteration without notice. Axo Light does not provide legal guarantee for the accuracy of this data sheet.