



**LT CUT**

Design by Timo Ripatti

Collection consisting of steel and aluminum suspended, floor and table lamps. Available in black colour. The Lighting source can be installed in three different positions. Built-in dimmable LED light source.

Typology: FLOOR

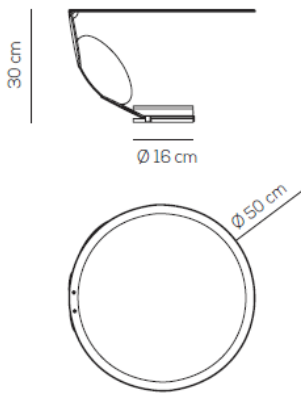
Ratings

- Built in **LED** module
- CCT 3000 K
- optic ~60° beam
- Surface installation over holes
- Supply voltage ~110-240V
- Switch mode: on-off
- Aluminum-Steel body

Product code composition

**CUT / DIMMER INCLUDED**

kg 4,75 m³ 0,133



Type	Article	Colours	Finishings	Source
LT	CUT XXX	NE intense black	XX	<b>LED</b> 17W - optic ~ 60° beam 3000K

IP20 CRI>90 110-240V<sub>AC</sub> **LED** ~1376 lm ~81 lm/W

example composition code LT CUT XXX NE XX LED

Available colors



NE  
Intense black

EELc (Energy Efficiency Label compatibility) contain built in LED lamps that cannot be changed: A, A+, A++

LTCUTXXXNEXXLED

CUSTOMER \_\_\_\_\_

NOTES \_\_\_\_\_

NOTICE: Luminous flux (lm) and efficacy (lm/W) for all built in LED luminaires is based on nominal ratings of the LED sources. Technical data could be subject to alteration without notice. Axo Light does not provide legal guarantee for the accuracy of this data sheet.