

Vega 2700W/NC35.NB

Spotlights - Adjustable spotlight



Adjustable luminaire, suitable for wall, ceiling or ground installation as a stand-alone floodlight or with stand support. Equipped with secondary optics for different distributions of the light, it is composed of an insulated base in PC, allowing the luminaire to be installed directly on the ground, without the risk of oxidation phenomena. All versions have an integrated quick rotation/adjustment system on the horizontal plane using a toothed ring, without the need for any tools. Available with monochrome LED version, with built-in driver, or even RGBW and Tunable White, (with remote control).

DEVICE SPECIFICATIONS

Installation Type: Wall Ceiling, Ground fixing

IP: 65

IK: 07

GWT: 960°C

Body: Die-cast aluminium alloy EN AB 46100

Box: Polycarbonate (PC) gw7T60 UV

Frame: Die-cast aluminium alloy EN AB46100

Header: NA

Display: Tempered Extraclear Glass 4mm

Seals: OR NBR rubber-EPDM rubber (Base)-Silicone Rubber (Glass)

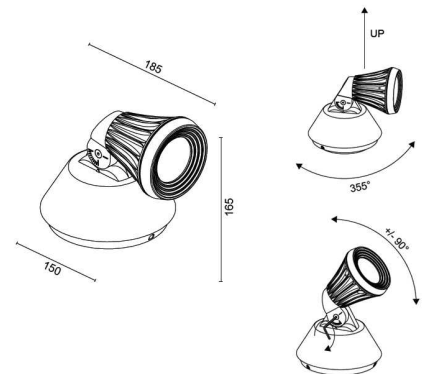
Screws: Stainless steel Cat.V2

Sink: Extruded Aluminium Alloy AW6060

Painting: Anti-corrosive UV stabilised polyester powder

Sizes: H 165 x L 185 x W 150

Net Weight KG: 1,08 Kg



ELECTRICAL SPECIFICATIONS

Driver/Supply: NA

Dimming: NA

Wiring: Single insulation wires type H05V-Internal Terminal Block

Power in W: 14W

AC Input: 220-240V/50-60Hz

Power Factor: 0.95

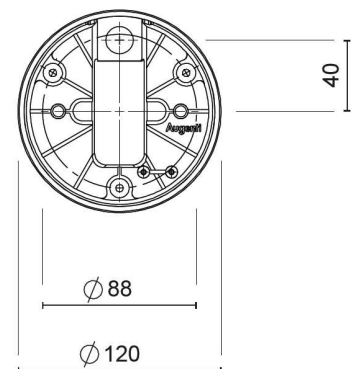
Output CC/VV: 350mA

Insulation Class: II

Absorbed Power/W: 14W

TA Exercise: 25°C

Energetic Class: A++



OPTICAL SPECIFICATIONS

Source: COB LES11 Driver Inc.

CCT: 4000K

CRI: >80

Source Flow: 1800lm

Devices Flow: 1227lm

Appliance Efficiency=lm/W: 87.6lm/W

LOR: 68.2%

Optical Type: Internal PC Metalized Reflector

Optical Distribution: Spot

Beam Opening: 18°

AVAILABLE COLOURS

	Color	Cod.
	Bianco RAL 9016	00
	Black RAL 9005	01
	Bianco Puro RAL 9010	10
	Bronze	24
	Rust	25