

## Iris Iris Tondo 3110R/NC2.MB

### Ground Recessed - Round steel frame H210



"IRIS" is a recessed fixture for installation on public areas, with stainless steel AISI 316L finish frame and high degree of protection (IP67) make it suitable for most extreme installation backgrounds. The extruded aluminium structure is coated with polyester powder and chromium-phosphate and tempered sandblasted glass. Available with different light sources.

#### DEVICE SPECIFICATIONS

**Installation Type:** Inground Recessed

**IP:** 67

**IK:** 10

**Body:** Nylon grey colour

**Box:** Nylon colore grigio

**Frame:** Stainless Steel AISI316L

**Header:** NA

**Display:** 12-15mm transparent tempered float glass

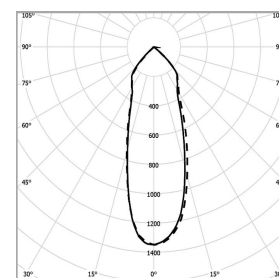
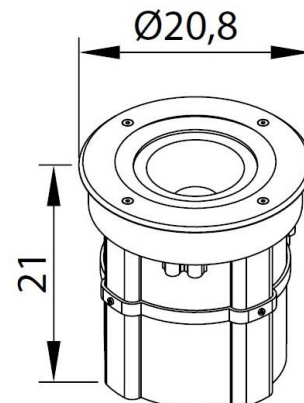
**Seals:** EPDM rubber Gaskeet- Megol grommets

**Screws:** AISI 316 stainless steel

**Sink:** Integrated on-board

**Sizes:** H 210 x Ø 208

**Net Weight KG:** 4,2 Kg



#### ELECTRICAL SPECIFICATIONS

**Driver/Supply:** Incorporated Driver 220-240v/50-60Hz

**Dimming:** Available on request DALI,1-10V,Push

**Wiring:** Double insulation cable for external H05RN-F with IP68 Cable Galnd

**Power in W:** 17,2W

**AC Input:** 220-240v/50-60hZ

**Power Factor:** 0,94

**Insulation Class:** II

**Absorbed Power/W:** 17,2W

**Energetic Class:** A++

#### OPTICAL SPECIFICATIONS

**Source:** COB LES22 Driver Inc.

**CCT:** 4000K

**CRI:** >80

**Source Flow:** 2300lm

**Devices Flow:** 1983lm

**Appliance Efficiency=lm/W:** 110lm/W

**LOR:** 86%

**LifeTime TM-21:** L80B10 50000hr

**Optical Type:** Satin anodised aluminium 99 85

**Optical Distribution:** Fascio Medio

**Beam Opening:** 26°

#### AVAILABLE COLOURS

**AVAILABLE COLOURS**



**Color**

**Cod.**

Steel

99