

Argent, a Silver, *Cloud.*

design Dodo Arslan
terzani.com

TERZANI
LA LUCE PENSATA



Type |
Suspension

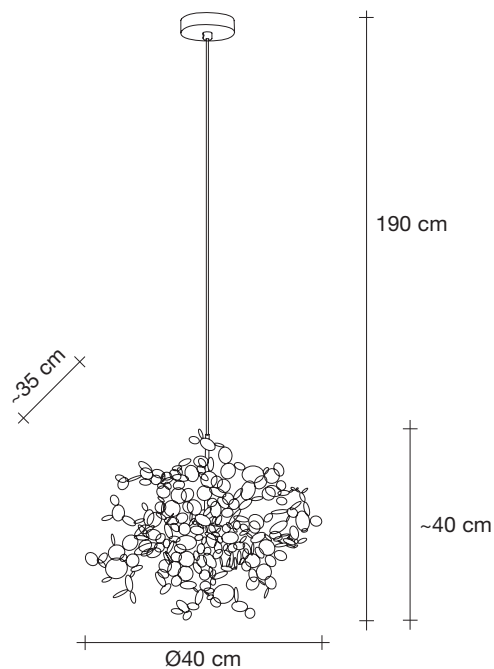
Materials |
Stainless steel

Finishes | Code



Stainless Steel
0N90S E7 C8

Body |



Light Source |

230-240V ~ 50/60Hz



HALOGEN
3 x 20W G4 12V

or
on request

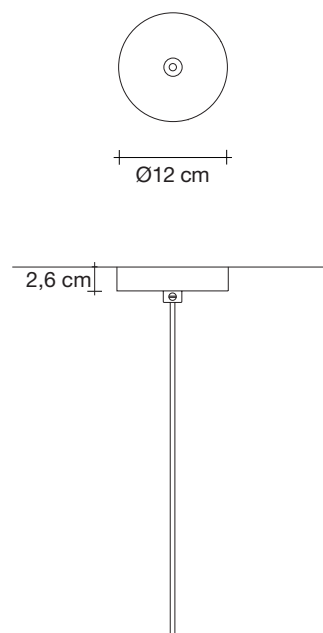


LED
3 x 2W G4 12V



Dimmable with IGBT
Dali system on request

Canopy |



With this new suspension light, designer Dodo Arslan creates a shimmering, silver cloud. Argent consists of metal discs that have been meticulously joined by hand by Terzani craftsmen into clusters. Once lit, the multiple, angled surfaces of the discs emanate a soft, shimmering, white glow. Design Dodo Arslan.



5,4



2,5



51cm x 51cm x 51cm

Argent, a Silver, *Cloud.*

design Dodo Arslan
terzani.com

TERZANI
LA LUCE PENSATA



Type |
Suspension

Materials |
Stainless steel

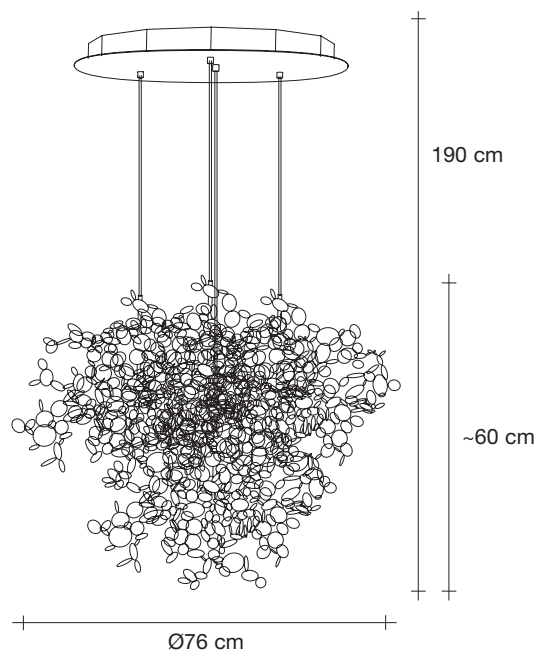
Finishes | Code



Stainless Steel
0N91S E7 C8

White canopy

Body |



Light Source |
230-240V ~ 50/60Hz



HALOGEN
12 x 20W G4 12V

or
on request

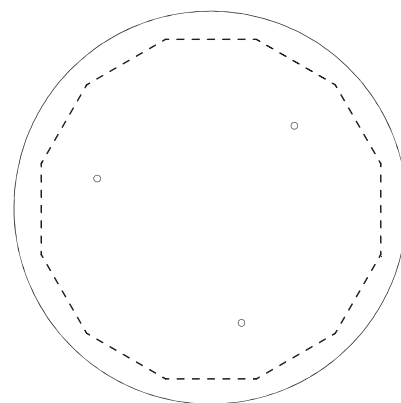


LED
12 x 2W G4 12V



Dimmable with IGBT
Dali system on request

Canopy |



With this new suspension light, designer Dodo Arslan creates a shimmering, silver cloud. Argent consists of metal discs that have been meticulously joined by hand by Terzani craftsmen into clusters. Once lit, the multiple, angled surfaces of the discs emanate a soft, shimmering, white glow. Design Dodo Arslan.



32



18,5



115cm x 95cm x 75cm

Argent, a Silver, *Cloud.*

design Dodo Arslan
terzani.com

TERZANI
LA LUCE PENSATA



Type |
Suspension

Materials |
Stainless steel

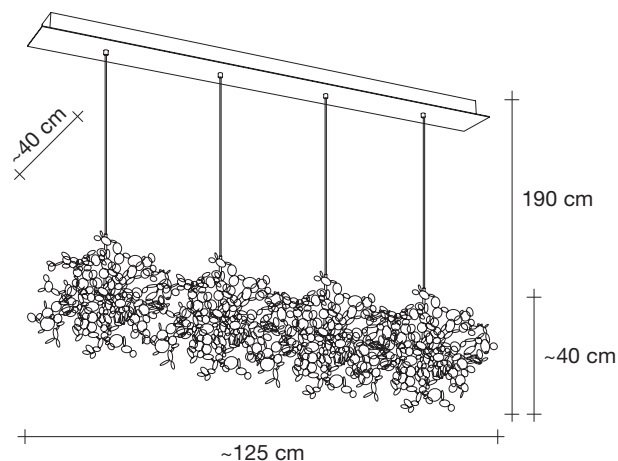
Finishes | Code



Stainless Steel
0N92S E7 C8

White canopy

Body |



Light Source |

230-240V ~ 50/60Hz



HALOGEN
12 x 20W G4 12V

or
on request

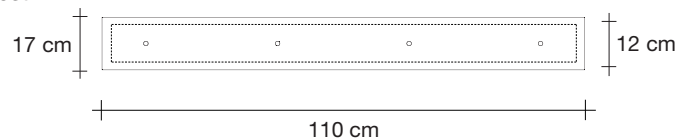


LED
12 x 2W G4 12V



Dimmable with IGBT
Dali system on request

Canopy |



With this new suspension light, designer Dodo Arslan creates a shimmering, silver cloud. Argent consists of metal discs that have been meticulously joined by hand by Terzani craftsmen into clusters. Once lit, the multiple, angled surfaces of the discs emanate a soft, shimmering, white glow. Design Dodo Arslan.



1x 117cm x 29cm x 16cm
4x 51cm x 51cm x 51cm