



**AP LIK**

Design by Manuel Vivian

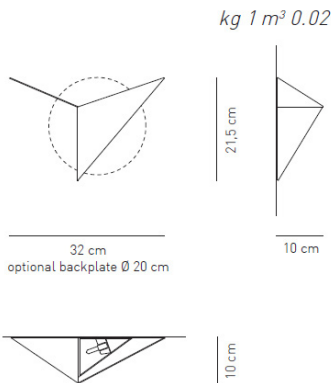
Wall lamp in metal. Available in several colours.  
Light source with G9 fitting.

Typology: WALL

**Ratings**

- Uplight
- Surface installation over holes
- Supply voltage ~220-240V
- Switch mode: on-off
- Folded steel

Product code composition



**VASILY**

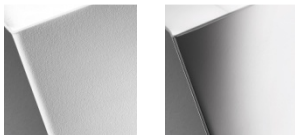
Type	Article	Colours	Finish	Source
AP	VASILY	BC textured white	XX	G9X G9 1 x Max 60W halo
		CR polished steel		



example composition code | AP | VASILY | CR | XX | G9X

for optional accessories please refer to our pricelist or contact our representatives

Available colors



**BC**  
Textured  
white

**CR**  
Polished  
steel

EELc (Energy Efficiency Label compatibility): D

APVASILY\_\_XXG9X

CUSTOMER \_\_\_\_\_ NOTES \_\_\_\_\_  
 \_\_\_\_\_

Luminous flux (lm) and efficacy (lm/W) for all built-in LED luminaires is estimated based on nominal ratings of the LED sources.  
 Technical data could be subject to alteration without notice. Axo Light does not provide legal guarantee for the accuracy of this data sheet.