



AP SPILL R
Design by Manuel Vivian

Collection consisting of wall lamps, recessed, ceiling lamps and suspended lamps. The diffusers are made of glass with chrome-plated metal frame. Available in several colours and sizes. Halo or LED light source.

Typology: wall lamp

Ratings

- G4
- Diffused light
- Surface installation over holes
- Switch mode: on-off
- Metal body, chrome
- Clear or coloured diffuser

12V (••) VERSION

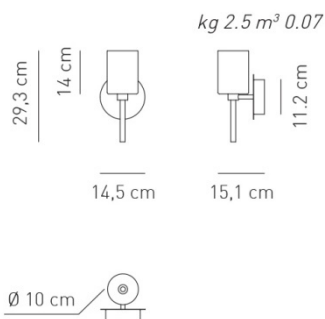
- Supply voltage ~220-240V
- Dimmable phase cut transformer

G4L (•) VERSION

- Supply voltage ~120-240V
- CCT of the included LED lamp 3000 K

Product code composition

SPILLRAY

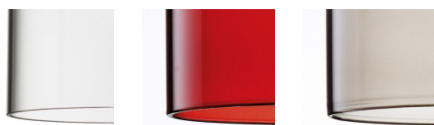


| Type | Article | Colours | Finish | Source |
|------|---------|------------|-----------|--|
| AP | SPILLR | CS crystal | CR chrome | 12V (••) G4 1xMax 20W 12Vac halo included |
| | | RS red | | G4L (•) G4 1xMax 1,5W 12Vdc LED included - only LED bulb |
| | | GR grey | | |



example composition code | AP | SPILLR | RS | CR | G4L

Available colors



CS Crystal RS Red GR Grey

12V - EELc (Energy Efficiency Label compatibility): **C**, B

G4L - EELc (Energy Efficiency Label compatibility): A, **A+**, A++

The energy class letter in bold format is related to the bulb supplied together with the specific article

CUSTOMER _____ NOTES _____

APSPILLR __ CR__

Luminous flux (lm) and efficacy (lm/W) for all built-in LED luminaires is estimated based on nominal ratings of the LED sources. Technical data could be subject to alteration without notice. Axo Light does not provide legal guarantee for the accuracy of this data sheet.