

APPOLIAP
Design by Manuel Vivian

Collection consisting of metal wall lamps available in several colours and sizes.

Typology: WALL

Ratings

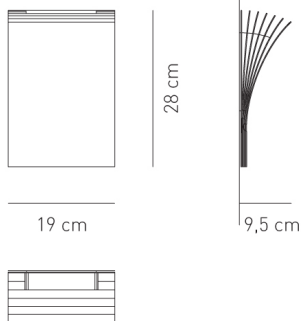
- Built in line voltage **LED** modules
- CCT 3000 K
- upright
- Surface installation over holes
- Supply voltage ~220-240V
- Switch mode: on-off, dimmable trailing edge
- Rolled steel, painted
- Opalescent diffuser

Product code composition

POLIA

Type	Article	Colours	Code End	Source
AP	POLIA P	BC textured white	XX	LED 16W - diffused beam 3000K
		GR white and basalt grey		
		CO rust brown		

kg 2 m³ 0.025



220-240V_{AC} **LED** ~957 lm 60lm/W

example composition code | **AP** | **POLIA P** | **GR** | **XX** | **LED**

Available colors



BC
Textured white

GR
White and basalt grey

CO
Rust brown

EELc (Energy Efficiency Label compatibility) contain built in LED lamps that cannot be changed: A, A+, A++

CUSTOMER _____ NOTES _____

APPOLIAP__XXLED

NOTICE:

Luminous flux (lm) and efficacy (lm/W) for all LED luminaires is estimated based on nominal ratings of the LED sources. Technical data could be subject to alteration without notice. Axo Light does not provide legal guarantee for the accuracy of this data sheet.