

STARNET

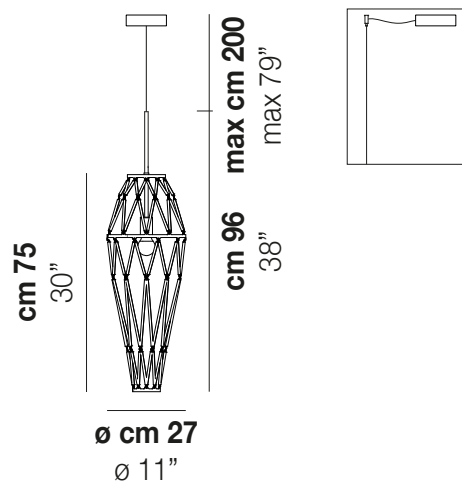
Design Gianni Veneziano e Luciana Di Virgilio | Veneziano+Team

STARNET SP 5



Starnet is a versatile product consisting of infinite crystal textures that allow great possibilities for customization. The suspension is available in three different models. Brass and black metal parts finishes bring out the crystal glass.

STARNET SP 5



TECHNICAL DATA:



CERTIFICATIONS:



LIGHT SOURCES

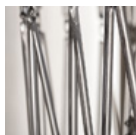
1x77W 220-240 V
 50/60 Hz E27

VOLUME Mc 0,07
 GROSS WEIGHT Kg 5
 NET WEIGHT Kg 3

download

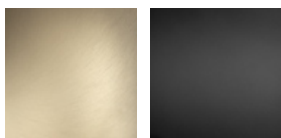


SHADE FINISHING



CR

FRAME FINISHING

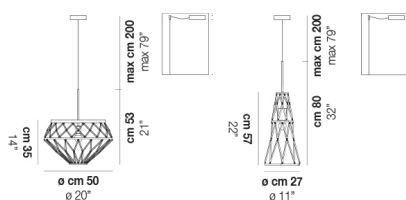


BKS

NEO

OTHER VERSION AVAILABLE

Click on the version to go to the web version of the product



STRNE SP 3

STRNE SP 4