

INFINITA

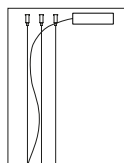
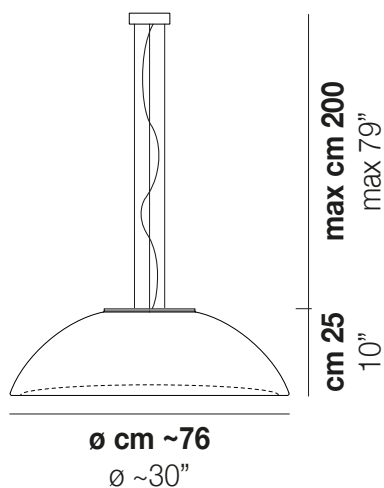
Design Renato Toso, Noti Massari & Associati

INFINITA SP 80

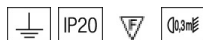


Available as pendant or ceiling lamp. A response to a growing demand for large lamps with multiple sockets. Its main advantage is a considerable lighting surface with a minimum metal body.

INFINITA SP 80



TECHNICAL DATA:



CERTIFICATIONS:



LIGHT SOURCES

5x77W 220-240 V
50/60 Hz

E27



1x19,5W 39 V

Led 3000 K 19,5 W 39 V 2850 lm DIM2 Phase Cut

VOLUME Mc 0,47

GROSS WEIGHT Kg 23

NET WEIGHT Kg 18

[download](#)



SHADE FINISHING



BCST

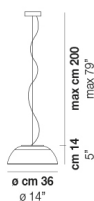
FRAME FINISHING



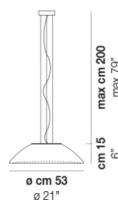
BC

OTHER VERSION AVAILABLE

Click on the version to go to the web version of the product



INFIN SP 36



INFIN SP 53

