

IMPLODE

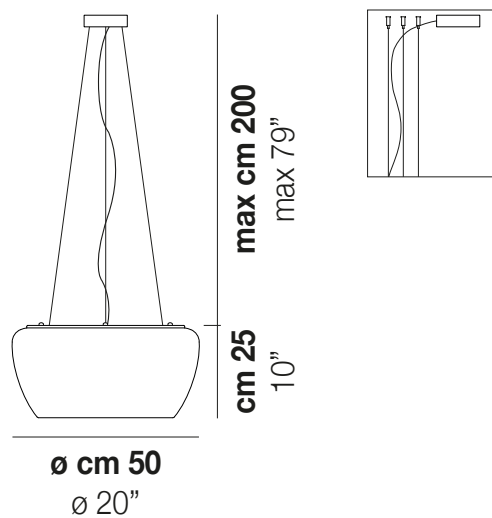
Design Gregorio Spini

IMPLODE SP 50



A collection that represents the illusion of a surface created by the implosion of a volume. The glass, due to the thickness, shows a gradation of multiple layers of white and transparent crystal.

IMPLODE SP 50



TECHNICAL DATA:



CERTIFICATIONS:



LIGHT SOURCES

3x77W 220-240 V
 50/60 Hz E27

LED 3000K DIM2
 1x19,5W 39 V

Led 3000 K 19,5 W 39 V 2850 lm DIM2 Phase Cut

LED 3000K DIM3
 1x19,5W 39 V

Led 3000 K 19,5 W 39 V 2850 lm DIM3 0-10V, Push

VOLUME Mc 0,21

GROSS WEIGHT Kg 21

NET WEIGHT Kg 16

download



SHADE FINISHING



BCCR

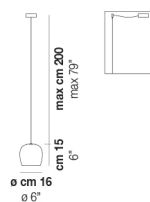
FRAME FINISHING



BC

OTHER VERSION AVAILABLE

Click on the version to go to the web version of the product



IMPLO SP 16