

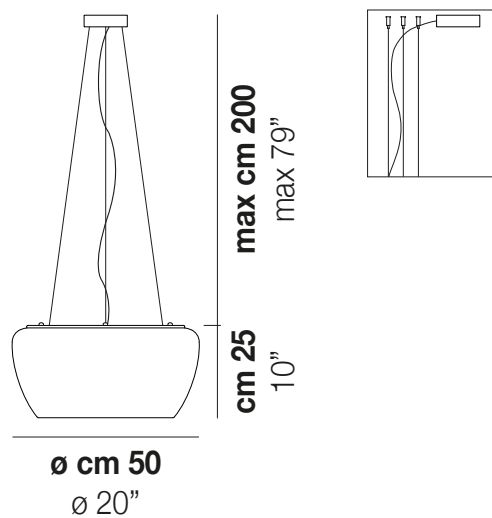
## IMPLODE

Design Gregorio Spini

## IMPLODE SP 50



A collection that represents the illusion of a surface created by the implosion of a volume. The glass, due to the thickness, shows a gradation of multiple layers of white and transparent crystal.



## IMPLODE SP 50

### TECHNICAL DATA:



### CERTIFICATIONS:



### LIGHT SOURCES

3x77W 220-240 V  
50/60 Hz E27

LED 3000K DIM2  
1x19,5W 39 V

Led 3000 K 19,5 W 39 V 2850 lm DIM2 Phase Cut

LED 3000K DIM3  
1x19,5W 39 V

Led 3000 K 19,5 W 39 V 2850 lm DIM3 0-10V, Push

VOLUME Mc 0,21

GROSS WEIGHT Kg 21

NET WEIGHT Kg 16

download



### SHADE FINISHING



BCCR

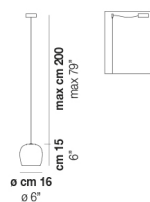
### FRAME FINISHING



BC

### OTHER VERSION AVAILABLE

Click on the version to go to the web version of the product



IMPLO SP 16