

FUTURA

Design Hangar Group

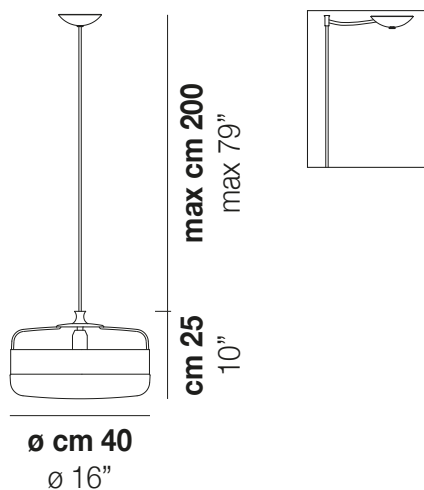
FUTURA SP G



A collection of lamps made from a single piece of blown glass, whose particular workmanship, though, allows a double chromatic effect: transparent at the top, satin effect at the bottom. The following combinations of glass with metal ring are now available: white glass combined with matt black ring, smoky glass with brown ring, amber glass with painted brass ring. A new transparent crystal glass finish with copper or matt black ring is also available.



FUTURA SP G



TECHNICAL DATA:



CERTIFICATIONS:



LIGHT SOURCES

1x77w 220-240 V 50/60 Hz E27



1x12 W 35 V

Led 3000 K 12 W 35 V 1600 lm DIM2 Phase Cut

VOLUME Mc 0,16
GROSS WEIGHT Kg 10,5
NET WEIGHT Kg 7,5

[download](#)

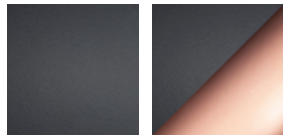


SHADE FINISHING



AMOT BCNE CRNE CRRA FUMA

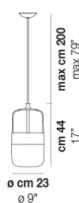
FRAME FINISHING



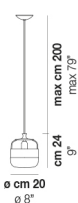
NE R_N

OTHER VERSION AVAILABLE

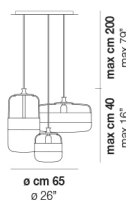
Click on the version to go to the web version of the product



FUTUR SP M



FUTUR SP P



FUTUR SP 3