

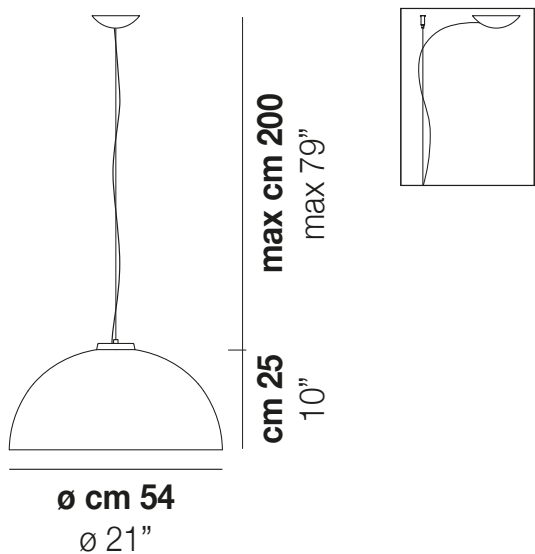
DRESS

Design Vistosi

DRESS SP G



Dress essential design makes it suitable for any contemporary atmosphere.
Available as ceiling with glossy white glass finish.



DRESS SP G

TECHNICAL DATA:



CERTIFICATIONS:



LIGHT SOURCES

LED SOURCE	Power	Voltage	Notes
LED 2700K DIM2	1x77W	220-240 V 50/60 Hz	E27 Led 2700 K 12 W 35 V 1500 lm DIM2 Phase Cut
LED 2700K DIM3	1x12W	35 V	Led 2700 K 12 W 35 V 1500 lm DIM3 0-10V, Push
LED 3000K DIM3	1x12W	35 V	Led 3000 K 12 W 35 V 1600 lm DIM3 0-10V, Push

VOLUME	Mc 0,18
GROSS WEIGHT	Kg 8,5
NET WEIGHT	Kg 4,5

download



SHADE FINISHING



BCLU

FRAME FINISHING



CR