

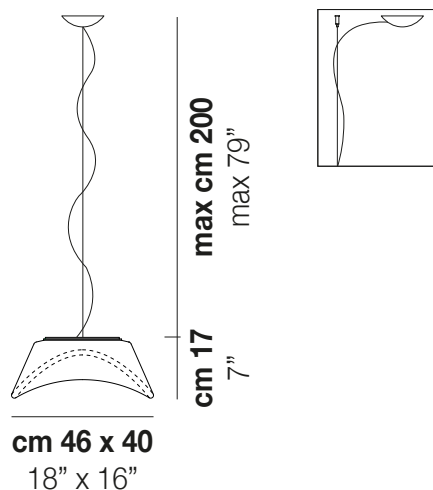
BALANCE

Design Pio e Tito Tosio

BALANCE SP M

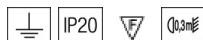


Inspired by the elliptic orbit of a planet around the sun, a motion that is created by the harmony and balance of unseen forces represented with the glass and the light. Available in three dimensions as suspension and ceiling.



BALANCE SP M

TECHNICAL DATA:



CERTIFICATIONS:



LIGHT SOURCES

2x77W 220-240 V
50/60 Hz E27

LED 3000K DIM3
1x19 W 39 V

Led 3000 K 19 W 39 V 2850 lm DIM3 0-10V, Push

VOLUME Mc 0,13

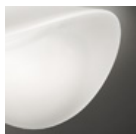
GROSS WEIGHT Kg 7

NET WEIGHT Kg 5

[download](#)



SHADE FINISHING



BCLU

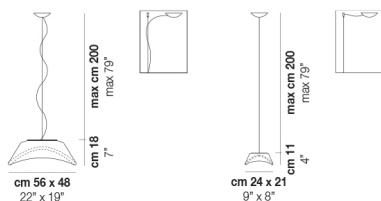
FRAME FINISHING



NIB

OTHER VERSION AVAILABLE

Click on the version to go to the web version of the product



BALAN SP G

BALAN SP 24