

INFINITA

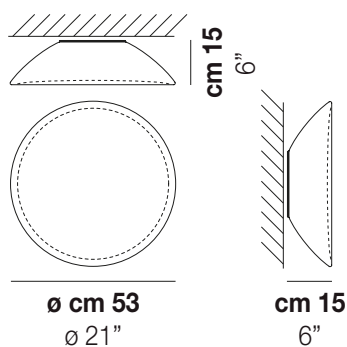
Design Renato Toso, Noti Massari & Associati

INFINITA PL 53

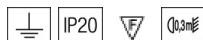


Available as pendant or ceiling lamp. A response to a growing demand for large lamps with multiple sockets. Its main advantage is a considerable lighting surface with a minimum metal body.

INFINITA PL 53



TECHNICAL DATA:



CERTIFICATIONS:



LIGHT SOURCES

LED Source	Power	Voltage	Frequency	Beam Angle	Notes
2x77W	220-240 V	50/60 Hz		E27	
LED 2700K DIM2	1x19 W	39 V			Led 2700 K 19 W 39 V 2850 lm DIM2 Phase Cut
LED 3000K DIM2	1x19 W	39 V			Led 3000 K 19 W 39 V 2850 lm DIM2 Phase Cut
LED 3000K DIM3	1x19 W	39 V			Led 3000 K 19 W 39 V 2850 lm DIM3 0-10V, Push

VOLUME	Mc 0,1
GROSS WEIGHT	Kg 8
NET WEIGHT	Kg 6

download



SHADE FINISHING



BCST

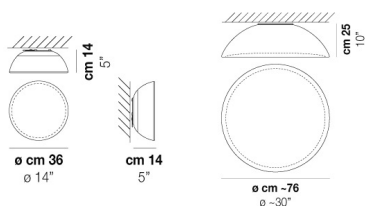
FRAME FINISHING



BC

OTHER VERSION AVAILABLE

Click on the version to go to the web version of the product



INFIN PP 36

INFIN PL 80