

TREAD

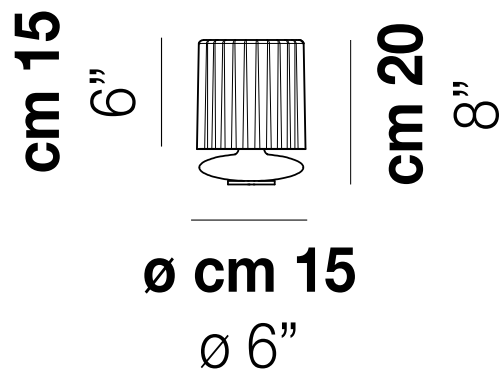
Design Chiaramonte & Marin

TREAD LT



The “technicity” of the metal element combined with the blown glass diffuser gives Tread an “industrial” style. An object reminiscent of vintage electrical equipment for its particular shape, in which the finned heat sink, combined with blown glass, becomes a distinctive element. Tread creates an avant-garde and stylish atmosphere by combining crystal, smoky, burned earth and transparent old green glass with copper, gold and bronze matt finishes.

TREAD LT



TECHNICAL DATA:



CERTIFICATIONS:



LIGHT SOURCES

1x60W 220-240 V
50/60 Hz

VOLUME Mc 0,05
 GROSS WEIGHT Kg 0
 NET WEIGHT Kg 3

download



SHADE FINISHING



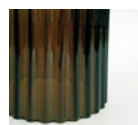
CRTR



FUTR

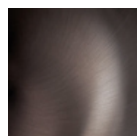


TBTR

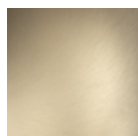


VATR

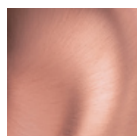
FRAME FINISHING



BHS



BKS



RAS