

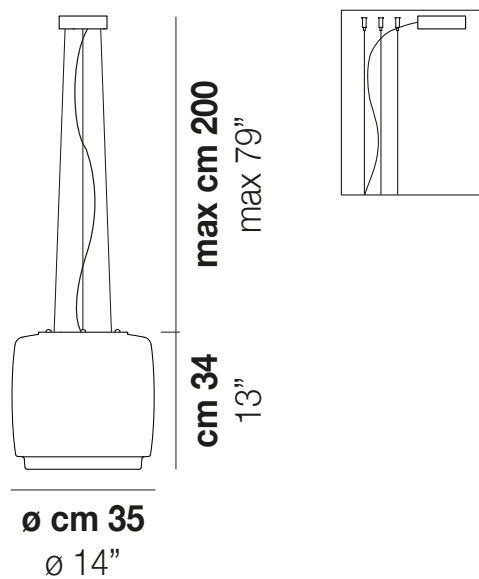
## BOT

Design Gregorio Spini

## BOT SP 35

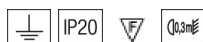


A collection that represents the idea of a volume in motion that generates a new one. The concept is also a reminiscence of the process of glass blowing in which the incandescent glass contains the light before it even has a definitive shape.



## BOT SP 35

### TECHNICAL DATA:



### CERTIFICATIONS:



### LIGHT SOURCES

	3x60W	120V/60HZ	E26
	3x77W	220-240 V 50/60 Hz	E27
	1x19 W	39 V	Led 2700 K 19 W 39 V 2850 lm DIM2 Phase Cut
	1x19 W	39 V	Led 2700 K 19 W 39 V 2850 lm DIM3 0-10V, Push
	1x19 W	39 V	Led 3000 K 19 W 39 V 2850 lm DIM2 Phase Cut
	1x19 W	39 V	Led 3000 K 19 W 39 V 2850 lm DIM3 0-10V, Push

VOLUME	Mc 0,19
GROSS WEIGHT	Kg 0
NET WEIGHT	Kg 9,5

download



### SHADE FINISHING



BCCR

### FRAME FINISHING



BC

### OTHER VERSION AVAILABLE

Click on the version to go to the web version of the product



BOT SP 16



BOT SP 45

