

Zig, Easy *Sophistication.*

design Jean François Crochet
terzani.com



Type |
Floor lamp

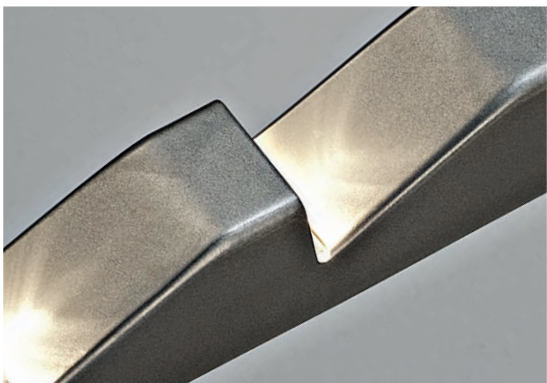
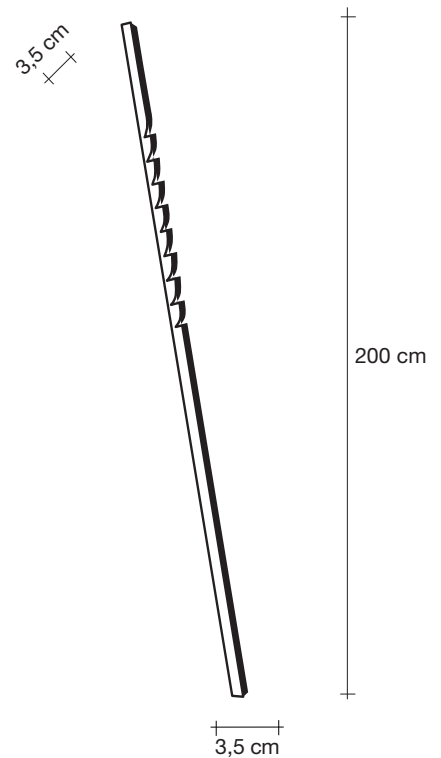
Materials |
metal

Finishes | Code



Satin Nickel
0H20A F3 C8

Body |



Recommended Light |

230-240V ~ 50/60Hz



HALOGEN
9 x 5W G4 12V



Dimmable with IGBT and TRIAC
Dali system on request

or on request



LED 3000K
9 x 1,5W G4 12V



Dimmable with IGBT
Dali system on request

Either alone or a group, Zig-Zag is a truly unique way to add light to any space. Intended to lean nonchalantly against a wall, the soft glow from the notched, Zig-Zag openings creates a comfortable ambience while adding a distinctly progressive design element. Zig-Zag complements rooms with high ceilings while opening up smaller spaces. Design Jean François Crochet.



210cm x 16cm x 15cm

Zig, Easy *Sophistication.*

design Jean François Crochet
terzani.com

TERZANI
LA LUCE PENSATA



Type |
Floor lamp

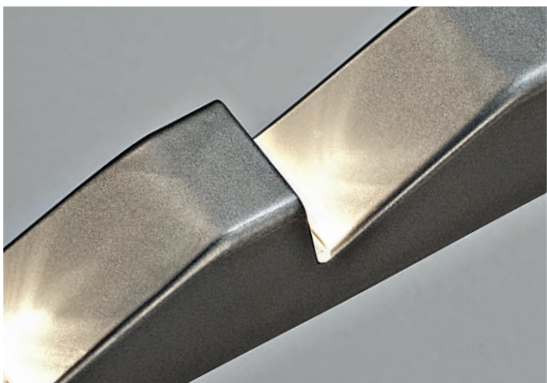
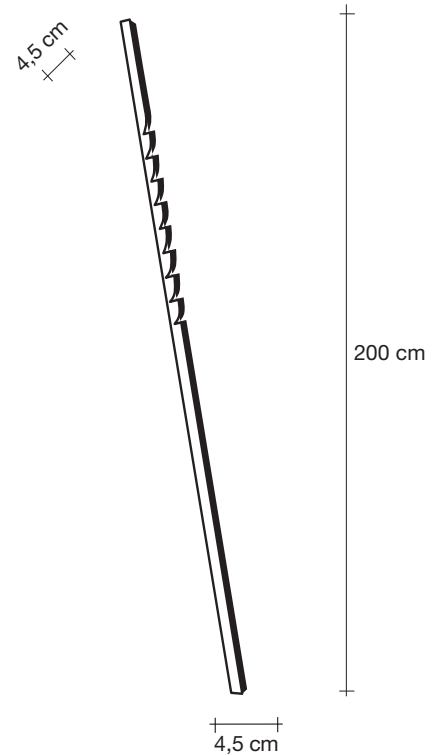
Materials |
metal

Finishes | Code



Satin Nickel
0H21A F3 C8

Body |



Recommended Light |

230-240V ~ 50/60Hz



HALOGEN
6 x 10W G4 12V



Dimmable with IGBT and TRIAC
Dali system on request

or on request



LED 3000K
6 x 1,5W G4 12V



Dimmable with IGBT
Dali system on request

Either alone or a group, Zig-Zag is a truly unique way to add light to any space. Intended to lean nonchalantly against a wall, the soft glow from the notched, Zig-Zag openings creates a comfortable ambience while adding a distinctly progressive design element. Zig-Zag complements rooms with high ceilings while opening up smaller spaces. Design Jean François Crochet.



10



7



210cm x 16cm x 15cm