

Moiré, movement *with pattern.*

design Christian Lava
terzani.com

TERZANI
LA LUCE PENSATA



Type |
Suspension

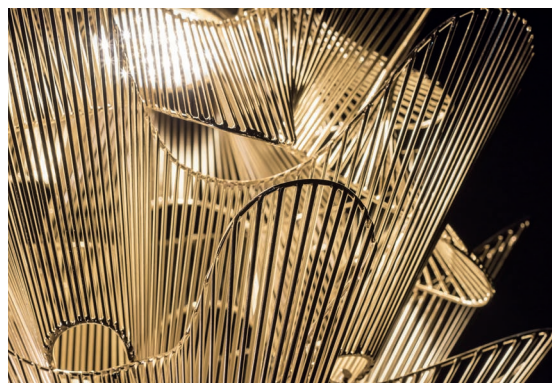
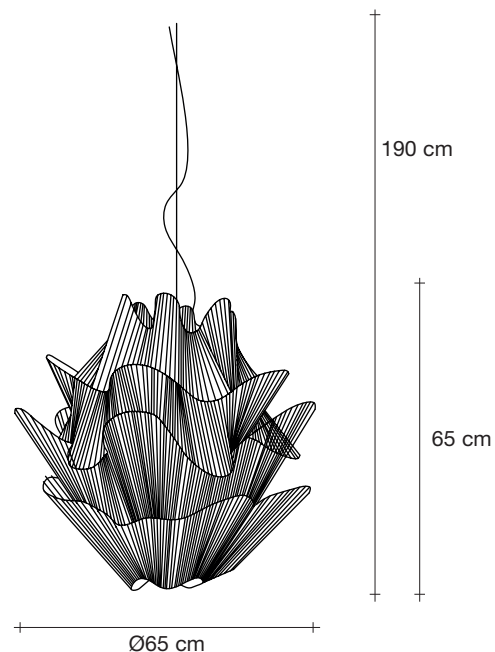
Materials |
Metal

Finishes | Code

 Nickel
OM10S E7 C8

 Gold
OM10S L6 C8


Body |



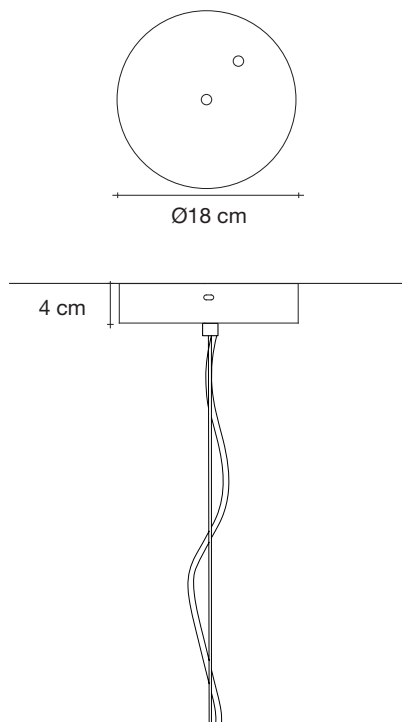
Integrated Led |

230-240V ~ 50/60Hz

 LED integrated
15,2W 1952 lm 3000K
or optional 2700K

 Dimmable with 1-10V and PUSH
Dali system on request

Canopy |



A French term derived from silk with a rippled or “watered” appearance, moiré is an optical effect that results in the illusion of waves or the movement of water. This effect is achieved by having an opaque, ruled pattern overlaid over another. Designer Christian Lava’s studies of this effect have led to his latest design aptly titled, Moiré. Using overlapping grids of plastic, this LED pendant light dynamically changes shape following the viewer’s gaze, practically coming to life with a vibrating energy. Available in multiple configurations, Moiré is a mesmerizing addition to any room.



25



10,5



83cm x 78cm x 95cm