

SP ULA 120

Design by Timo Ripatti

Collection consisting of wall lamps, ceiling lamps and suspended lamps in aluminium.
Available in several colours and sizes.
Available with sound absorbing panel option.

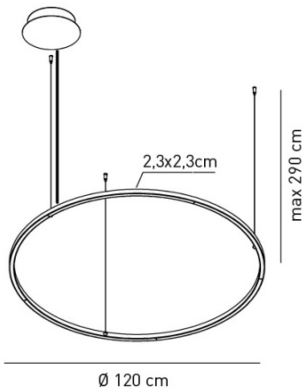
Typology: SUSPENDED LAMP

Ratings

- Built in **LED** module
- CCT 3000 K or 2700K
- Downlight or uplight
- Surface installation over holes
- Supply voltage ~100-240VAC
- Switch mode: on-off
- Dimmable 1-10V LED driver
- Painted aluminium profile 23 x 23 mm
- Opalescent diffuser

canopy kg 6.5 m3 0.180

Product code composition



U-LIGHT / suspension with canopy / DRIVER INCLUDED

Type	Article	Colours	Version	Source
SP	ULA 120 LED	AN anthracite grey RU rust brown	XX standard canopy	LED 86W - diffused beam 3000K*, 2700K other CCT options available upon request

~7354 lm* 86 lm/W* 100-240VAc

rosone standard /standard canopy



-sound absorbing option upon request- for more information see www.axolight.eu/u-light/u-light-sound-absorbing.pdf

Available colors



EELc (Energy Efficiency Label compatibility) contain built in LED lamps that cannot be changed: A, A+, A++

CUSTOMER _____ NOTES _____

SPULA120LED _ _ XX _____

Luminous flux (lm) and efficacy (lm/W) for all built-in LED luminaires is based on nominal ratings of the LED sources.
Technical data could be subject to alteration without notice. Axo Light does not provide legal guarantee for the accuracy of this data sheet.