



SP LIAIG 4

Design by Sara Moroni

Collection consisting of metal suspended lamps.
Available in several colours and sizes.
Built-in dimmable LED light source.

Typology: suspended

Ratings

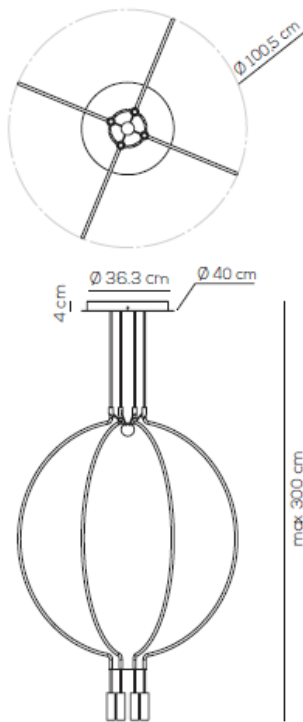
- Built in **LED** module
- CCT 3000 K
- optic ~40° beam
- Surface installation over holes
- Supply voltage ~220-240V
- Switch mode: on-off
- Dimmable 0/1-10V

kg 6.068 m³ 0,1749

Product code composition

LIAISON / DRIVER INCLUDED

Type	Article	Arch / Final & sphere finishes	Source
SP	LIAIG 4	NE black / NE black	LED 4 x 7.5W - optic ~ 40° beam 3000K*, 2700K
		NE black / OO matt gold	
		OO matt gold / NE black	






 IP20 CRI>90 **LED** ~2684 lm* 89 lm/W* 220-240VAC

example composition code SP LIAIG 4 OO NE LED

Available colors



NE/NE
Black/black

OO/NE
Matt gold
/black

NE/OO
Black/ Matt
gold

Customizable

EELc (Energy Efficiency Label compatibility) contain built in LED lamps that cannot be changed: A, A+, A++

SPLIAIG4 _ _ _ _ LED

CUSTOMER _____ NOTES _____