



SP LIAI G 2
Design by Sara Moroni

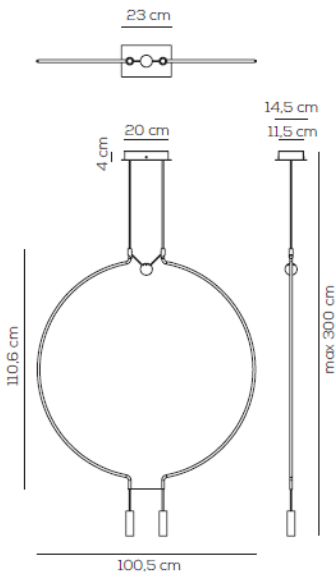
Collection consisting of metal suspended lamps.
Available in several colours and sizes.
Built-in dimmable LED light source.

Typology: suspended

Ratings

- Built in **LED** module
- CCT 3000 K
- optic ~40° beam
- Surface installation over holes
- Supply voltage ~220-240V
- Switch mode: on-off
- Dimmable 0/1-10V

kg 2.734 m³ 0,16



Product code composition

LIAISON / DRIVER INCLUDED

Type	Article	Arch / Final & sphere finishes	Source
SP	LIAI G 2	NE black / NE black	LED 2 x 9W - optic ~ 40° beam 3000K*, 2700K
		NE black / OO matt gold	
		OO matt gold / NE black	



IP20 CRI>90 **LED** ~1342 lm* 75 lm/W* 220-240VAc

example composition code SP LIAI G 2 OO NE LED

Available colors



NE/NE
Black/black

OO/NE
Matt gold
/black

NE/OO
Black/ Matt
gold

Customizable

EELc (Energy Efficiency Label compatibility) contain built in LED lamps that cannot be changed: A, A+, A++

CUSTOMER _____ NOTES _____

SPLIAIG2 _ _ _ _ LED

NOTICE: Luminous flux (lm) and efficacy (lm/W) for all built in LED luminaires is based on nominal ratings of the LED sources.
Technical data could be subject to alteration without notice. Axo Light does not provide legal guarantee for the accuracy of this data sheet.