



SP LIAI G 1

Design by Sara Moroni

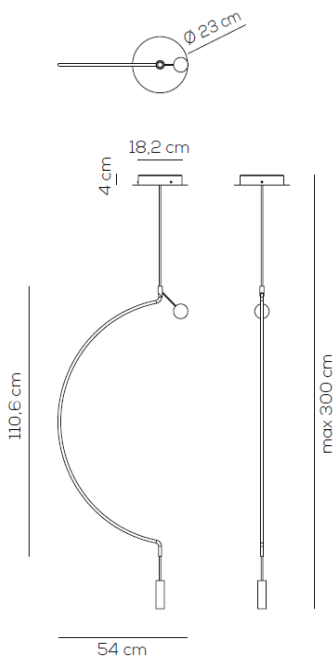
Collection consisting of metal suspended lamps.
Available in several colours and sizes.
Built-in dimmable LED light source.

Typology: suspended

Ratings

- Built in **LED** module
- CCT 3000 K
- optic ~40° beam
- Surface installation over holes
- Supply voltage ~220-240V
- Switch mode: on-off
- Dimmable 0/1-10V

2.448Kg 0,16m³



Product code composition

LIAISON / DRIVER INCLUDED

| Type | Article | Arch / Final & sphere finishes | Source |
|------|----------|--------------------------------|--|
| SP | LIAI P 1 | NE black / NE black | LED 9W - optic ~ 40° beam 3000K*, 2700K |
| | | NE black / OO matt gold | |
| | | OO matt gold / NE black | |



IP20 CRI>90 **LED** ~671 lm* 75 lm/W* 220-240V_{AC}

example composition code SP LIAI P 1 NE NE LED

Available colors



NE/OT
Black/brass

OT/NE
Brass/black

SA/NE
Sand/black

EELc (Energy Efficiency Label compatibility) contain built in LED lamps that cannot be changed: A, A+, A++

SPLIAIG1 _ _ _ _ LED

CUSTOMER _____ NOTES _____

NOTICE: Luminous flux (lm) and efficacy (lm/W) for all built in LED luminaires is based on nominal ratings of the LED sources.
Technical data could be subject to alteration without notice. Axo Light does not provide legal guarantee for the accuracy of this data sheet.