

ARMONIA

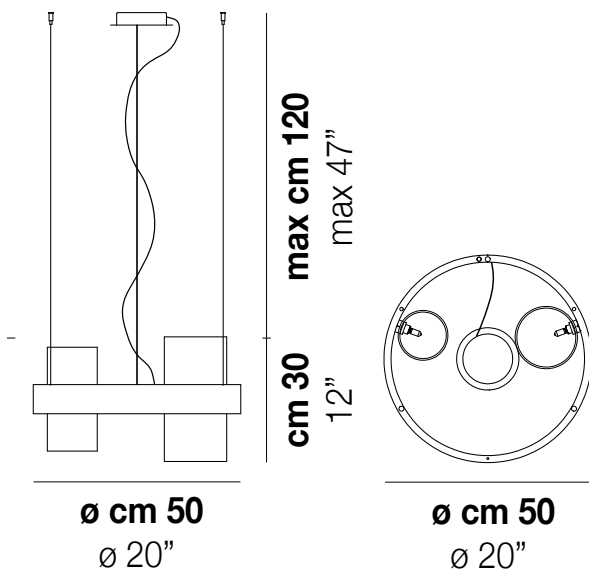
Design LUCCHESI FRANCESCO

ARMONIA SP 50



A very recognizable design that fits every decoration. The shaded tone from transparent to pastel emphasizes the quality of the glass.

ARMONIA SP 50



TECHNICAL DATA:



CERTIFICATIONS:



LIGHT SOURCES

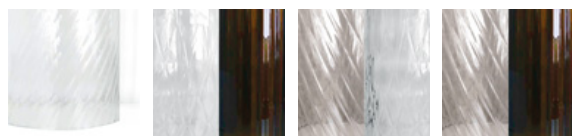
2x60w 220-240V 50/60 Hz G9

VOLUME Mc 0,15
GROSS WEIGHT Kg 0
NET WEIGHT Kg 0

[download](#)



SHADE FINISHING



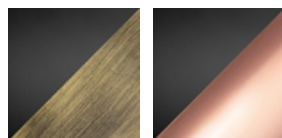
CRR

CRTB

FUCR

FUTB

FRAME FINISHING

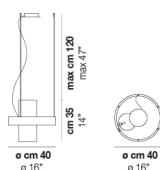


N_O

N_R

OTHER VERSION AVAILABLE

Click on the version to go to the web version of the product



ARMON SP 40