

## ARMONIA

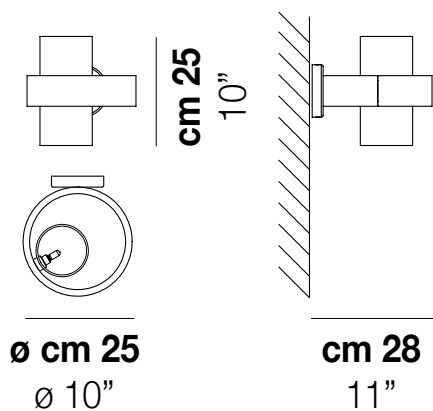
Design LUCCHESI FRANCESCO

## ARMONIA AP 25



A very recognizable design that fits every decoration. The shaded tone from transparent to pastel emphasizes the quality of the glass.

## ARMONIA AP 25



### TECHNICAL DATA:



### CERTIFICATIONS:



### LIGHT SOURCES

1x60w 220-240V  
50/60 Hz G9

VOLUME Mc 0,07  
 GROSS WEIGHT Kg 5  
 NET WEIGHT Kg 3

download



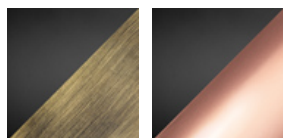
### SHADE FINISHING



CRR1

FURI

### FRAME FINISHING



N\_O

N\_R